



## **CABINTRY GUIDE**

**Choice Select® &  
Choice Essentials®**



# The Choice Cabinet Difference

## OUR CABINETS

- All-wood construction
- Pocket-screw joinery
- 10-step finishing process
- Dovetail drawer boxes
- Soft-close hardware

## OUR VALUE & SERVICE

- Factory-direct savings
- Best-in-class RTA cabinets
- In-stock & ready to ship
- Experienced design services
- Live customer support

## OUR MISSION & CULTURE

- Integrity & accountability
- Family-owned and operated
- Commitment to excellence
- Continuous improvement
- Community involvement

# **Choice Select**

Our Choice Select® line offers three Shaker-style doors options, combining style, durability, and everyday functionality. Each cabinet includes soft-close glides and hinges and is built to handle any lifestyle.

**DOVE**



**CASHMERE**



**FROST**



**STERLING**

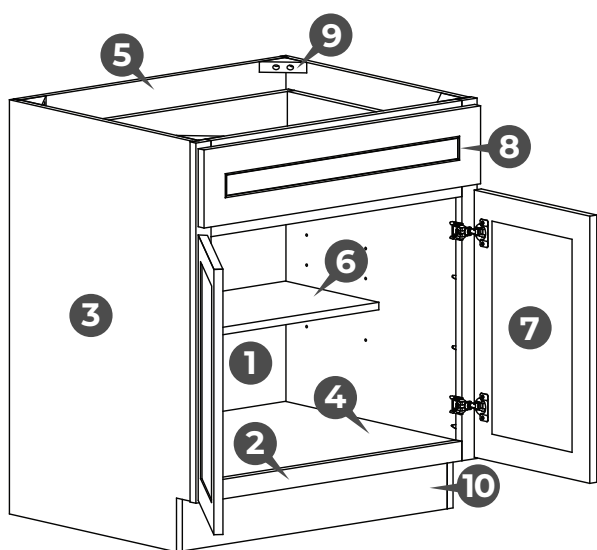
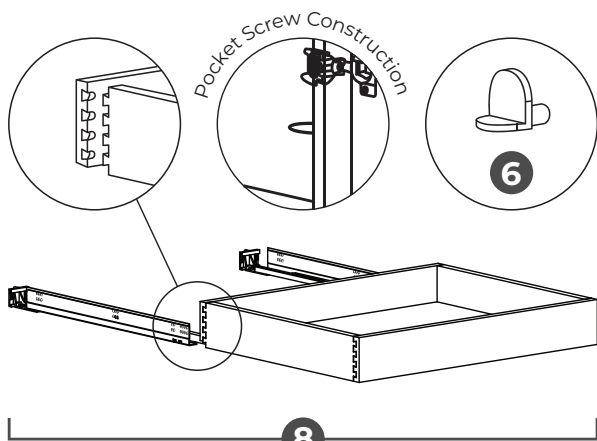
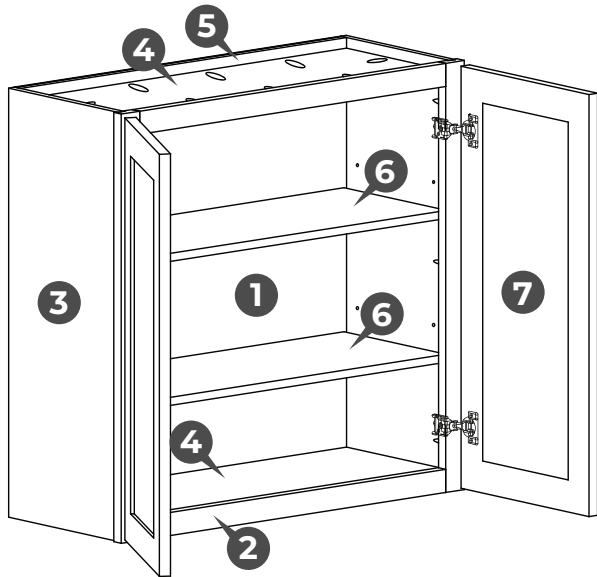


**FREMONT**



**GRAPHITE**





CONSTRUCTION

- 1** Natural hardwood interior
- 2** 3/4" solid hardwood face frame
- 3** 1/2" veneered plywood end panels with matching exterior finish
- 4** 1/2" veneered plywood captured floor and ceiling panels with natural finish
- 5** 5/8" framed plywood back
- 6** 3/4" veneered plywood half depth, adjustable shelving with metal shelf clips
- 7** Full overlay stile and rail with veneered or painted MDF center panel and 6-way adjustable, concealed soft-close hinges
- 8** Full overlay 5-piece drawer front with 1/2" finger jointed hardwood dovetailed drawer box, 3/8" veneered plywood drawer bottom, and full extension under-mount soft-close drawer glides
- 9** 3/4" solid wood corner braces
- 10** 4 1/2" high and 1/2" thick unfinished veneered plywood toe kick

LIFETIME LIMITED WARRANTY:



EPA COMPLIANCE:





Dove is a refined mini-Shaker door that pairs clean lines with a soft white finish. Subtle in detail yet rich in character, it creates a sense of warmth and balance that feels timeless and thoughtfully modern.

### FEATURES

- Full overlay door style
- 5-piece drawer front
- Painted MDF panel
- Painted white finish
- Soft-close glides and hinges

# CASHMERE



Cashmere highlights the natural beauty of wood with a warm, inviting finish and a modern mini-Shaker profile. Its organic texture and understated elegance create spaces that feel comfortable, elevated, and truly welcoming.

## FEATURES

- Full overlay door style
- Solid wood mortise tenon stile and rail
- 5-piece drawer front
- Veneered MDF center panel
- Stained natural finish
- Soft-close glides and hinges



Fresh, bright, and enduring, Frost delivers a classic Shaker look that never feels overdone. Its crisp white finish opens up the space, offering a graceful backdrop for both simple and expressive design choices.

### FEATURES

- Full overlay door style
- Solid wood mortise tenon stile and rail
- 5-piece drawer front
- MDF center panel
- Painted white finish
- Soft-close glides and hinges

# STERLING



Sterling blends cool gray tones with classic styling for a look that feels calm, balanced, and welcoming. This Shaker-style door brings modern elegance into everyday living with effortless charm.

## FEATURES

- Full overlay door style
- Solid wood mortise tenon stile and rail
- 5-piece drawer front
- MDF center panel
- Painted gray finish
- Soft-close glides and hinges



Fremont offers timeless white cabinetry with an effortlessly refined presence. Its clean lines and classic construction create a look that feels both elevated and inviting, making it a beautiful foundation for any thoughtfully designed space.

## FEATURES

- Full overlay door style
- Solid wood mortise tenon stile and rail
- 5-piece drawer front
- MDF center panel
- Painted white finish
- Soft-close glides and hinges

# GRAPHITE



Graphite brings depth and character through its rich gray stain and transitional Shaker profile. Designed for those who appreciate bold design with subtle warmth, it adds sophistication while remaining comfortable and livable.

## FEATURES

- Full overlay door style
- Solid wood mortise tenon stile and rail
- 5-piece drawer front
- Veneered MDF center panel
- Stained gray finish
- Soft-close glides and hinges

# **Choice Essentials**

Our Choice Essentials® line features our all-wood quality construction in the budget-friendly offering, perfect for builders, contractors, and rental properties. These cabinets are stylish and functional and are built to last. They come standard with soft-close glides and hinges.

SUMMIT

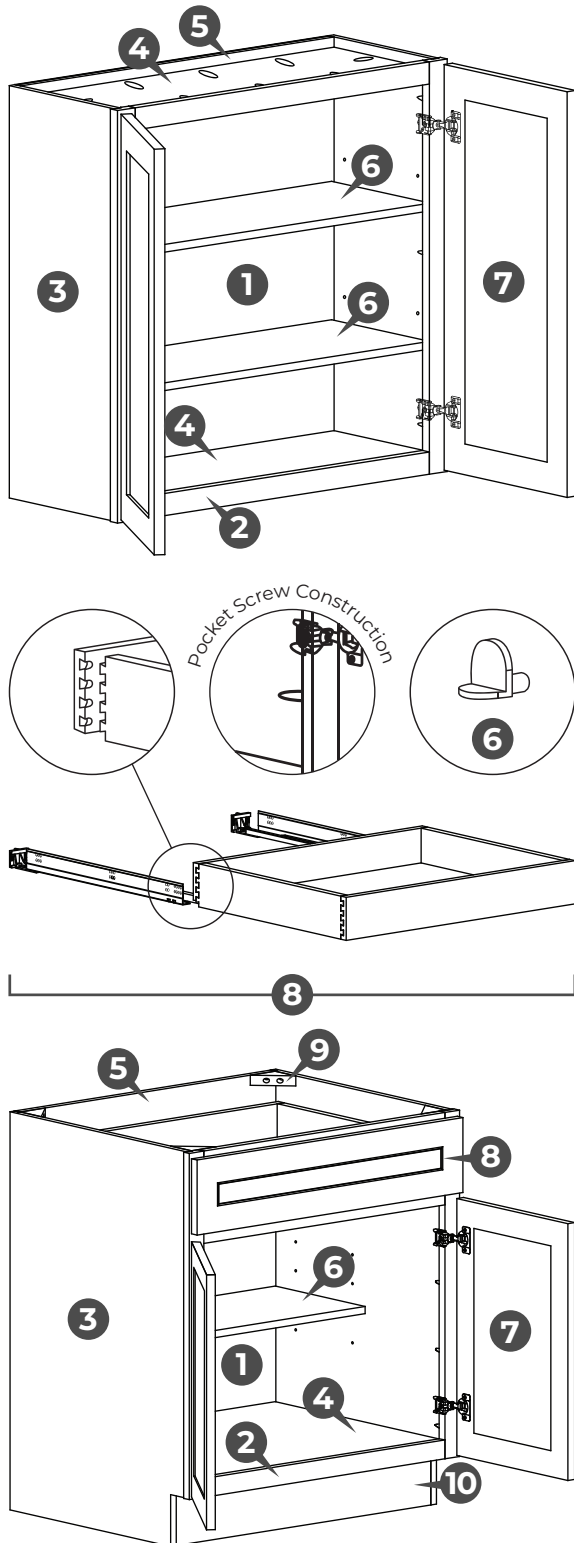
LATTE

SLATE

ASH



CONSTRUCTION



- 1** Natural hardwood interior
- 2** ¾" solid hardwood face frame
- 3** ½" veneered plywood end panels with matching exterior finish
- 4** ½" veneered plywood captured floor and ceiling panels with natural finish
- 5** ⅝" framed plywood back
- 6** ¾" veneered plywood half depth, adjustable shelving with metal shelf clips
- 7** Partial overlay stile and rail with veneered or painted MDF center panel and 6-way adjustable, concealed soft-close hinges
- 8** Partial overlay veneered or painted MDF slab drawer bottom, and 7/8 extension under-mount soft-close drawer glides
- 9** ¾" solid wood corner braces
- 10** 4½" high and ½" thick unfinished veneered plywood toe kick

1-YEAR LIMITED WARRANTY:



EPA COMPLIANCE:



# SUMMIT



Summit delivers a bright white Shaker style that feels both familiar and fresh. Equally suited for farmhouse or modern interiors, it offers a timeless look designed to adapt beautifully to your home.

## FEATURES

- Partial overlay door style
- MDF stile and rail
- Slab drawer front
- MDF center panel
- Painted white finish
- Soft-close glides and hinges



Slate introduces a sleek gray stain that adds depth and dimension to modern cabinetry. Its clean profile and contemporary tone create a polished look that feels intentional, refined, and easy to live with.

### FEATURES

- Partial overlay door style
- MDF stile and rail
- Slab drawer front
- Veneered MDF center panel
- Stained gray finish
- Soft-close glides and hinges

# LATTE



Latte embraces the lasting appeal of natural wood with a warm, comforting stain. Its classic character and inviting tone create spaces that feel grounded, welcoming, and effortlessly elegant.

## FEATURES

- Partial overlay door style
- MDF stile and rail
- Slab drawer front
- Veneered MDF center panel
- Stained natural finish
- Soft-close glides and hinges



Ash features a soft gray finish that brings quiet sophistication to any room. With its versatile tone and clean styling, it creates a serene foundation that complements a wide range of design aesthetics.

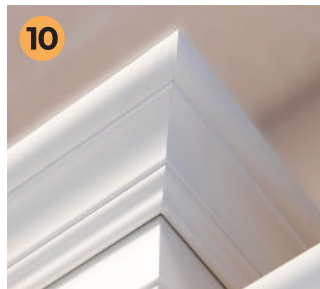
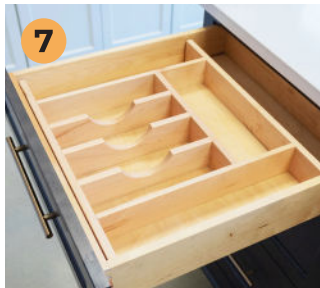
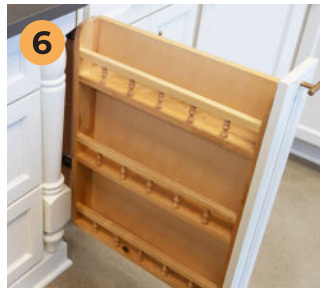
### FEATURES

- Partial overlay door style
- MDF stile and rail
- Slab drawer front
- MDF center panel
- Painted gray finish
- Soft-close glides and hinges

# CHOICE CABINET

# STORAGE & ACCESSORIES

There's nothing better than finding what you need quickly. That's why our storage and accessories keep your kitchen (or any room) organized while making it easy to customize your cabinets.



- 1 Mullion doors add elegance, with modern or traditional styles to match your look.
- 2 You can also have your cabinet doors cut for glass. Choosing the right style of glass can set the mood for any space.
- 3 Make hard-to-reach items easier to grab with our roll-out trays. They're perfect for tall pantries with canned goods or lower cabinets holding pots and pans.
- 4 No matter which Lazy Susan you choose, reaching those tucked-away items is easy. You can pick between full-round or pie-cut trays.
- 5 Whether you go with a single or double bin, our trash pull-outs are designed with your family in mind. They help save space while keeping trash and recyclables out of sight.
- 6 Whether you're storing spices or other food items, our base pantry pullout is a great space-saving solution.
- 7 Our wooden cutlery divider is great for organizing messy drawers. You can use it to tidy your silverware and your junk drawer.
- 8 Decorative doors can add charm to a modern or contemporary island.
- 9 Set your kitchen apart by adding decorative legs. They're perfect for highlighting your range or adding detail to your kitchen island.
- 10 With so many molding options, you'll be able to find one that fits your style. Go with something elegant for a traditional look, or keep it simple for a more modern feel.

# CHOICE CABINET

# DECORATIVE HARDWARE

Cabinets should elevate your home's style, which is why we offer a wide range of knobs, pulls, and handles. Each is crafted with precision to fit anything from small drawers to large cabinets.

### AVAILABLE FINISHES



**DIECAST KNOB** (1 1/4" Diameter)



**SQUARE KNOB** (1 1/4" Width)



**SPHERICAL KNOB** (1 1/4" Diameter)



**ROUND FLAT TOP KNOB** (1 1/4" Diameter)



**2" BAR PULL KNOB** (2" Length)



**CUP PULL** (3 3/4" Overall Length | 3" C to C)



**4" DECO PULL** (4 3/4" Overall Length | 3 3/4" C to C)



**6" DECO PULL** (5 1/2" Overall Length / 5" C to C)



**4" COLORADO PULL** (5 1/2" Overall Length / 3 3/4" C to C)



**7" COLORADO PULL** (7" Overall Length / 6 1/4" C to C)



**4" SQUARE EDGE PULL** (4 3/4" Overall Length / 3 3/4" C to C)



**7" SQUARE EDGE PULL** (7 1/2" Overall Length / 6 1/4" C to C)



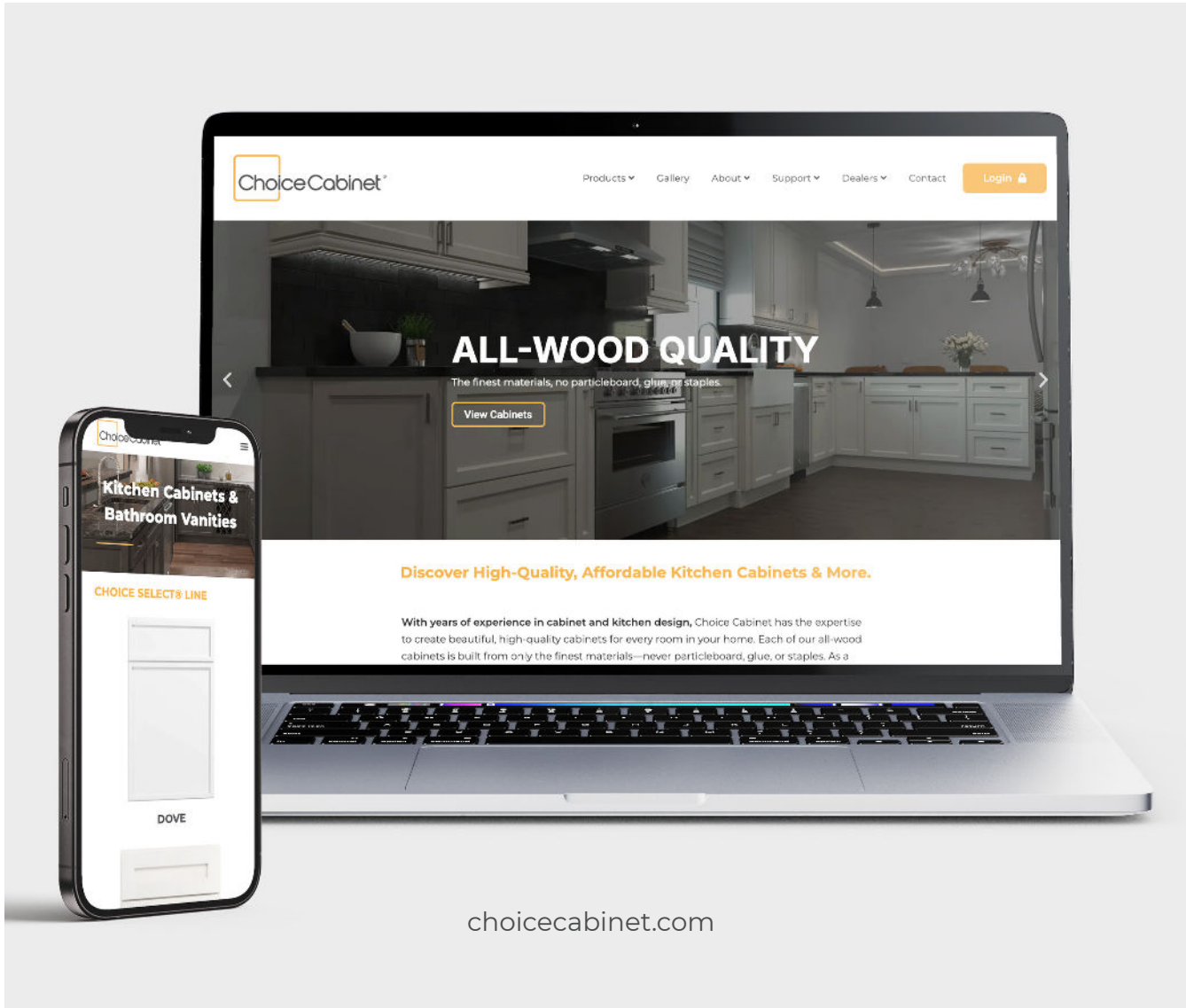
**6" BAR PULL** (6" Overall Length / 3-3/4" C to C)



**10" BAR PULL** (10" Overall Length / 7" C to C)



For more details, inspiration, and the latest updates, visit us online to download helpful resources and browse our gallery for creative design ideas.



choicecabinet.com

## See everything we have to offer online:

- Product details and specifications
- Inspiration gallery
- Frequently asked questions
- Resource and warranty information
- How to become a dealer
- Access to SuiteCommerce



### ABOUT CHOICE CABINET

Founded in 2006, Choice Cabinet has become one of the nation's fastest-growing cabinet manufacturers. The company has expanded steadily over the years, building a strong national presence, establishing long-term partnerships, and serving hundreds of accounts across the country. Known for its focus on quality and consistency, Choice Cabinet continues to grow as a trusted name in the industry.

#### HEADQUARTERS & WAREHOUSE

5260 Naiman Pkwy.,  
Solon, OH 44139

**T:** 216.378.2828

**F:** 216.378.2844



[choicecabinet.com](http://choicecabinet.com)



The Choice Professionals Trust.

[choicecabinet.com](http://choicecabinet.com)



Photography and color samples shown have been reproduced as accurately as printing technologies permit. To ensure your highest satisfaction, please view actual product samples prior to ordering cabinetry. In maintaining our policy of continuous product improvement, Choice Cabinet reserves the right to change design and material specifications as required and without notice.

MKT CABINETRY GUIDE  
© 2026 Choice Cabinet  
All rights reserved.