

Choice Select[®]

SPECIFICATIONS



FREMONT



GRAPHITE



FROST



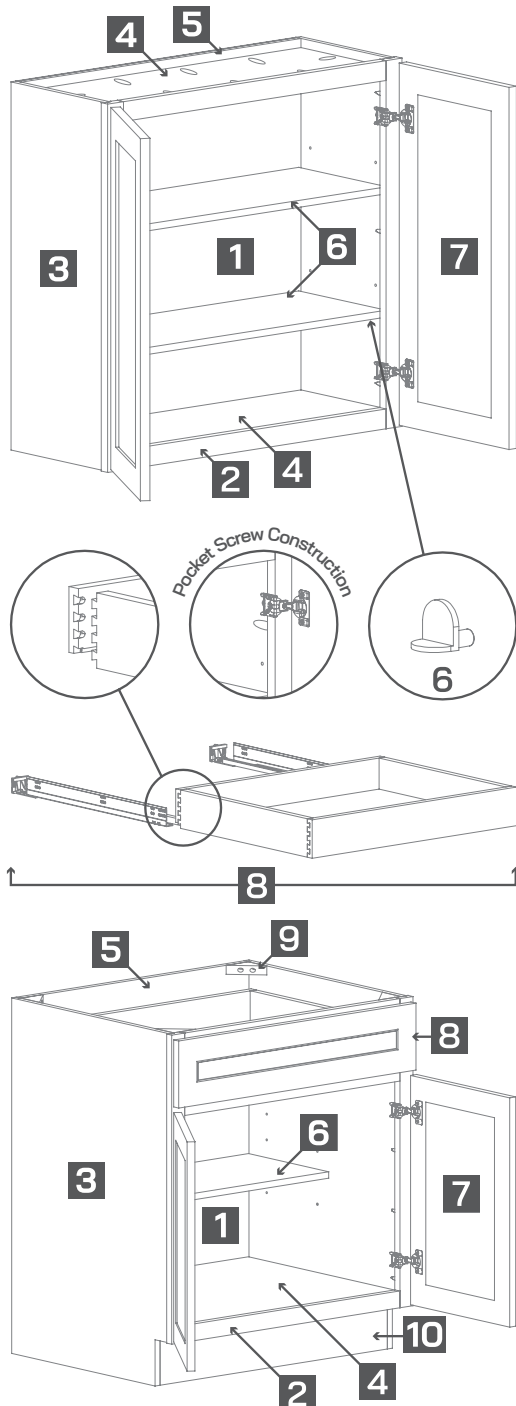
STERLING



DOVE



CASHMERE



Construction

1	Natural hardwood interior
2	3/4" solid hardwood face frame
3	1/2" veneered plywood end panels with matching exterior finish
4	1/2" veneered plywood captured floor and ceiling panels with natural finish
5	5/8" framed plywood back
6	3/4" veneered plywood half depth, adjustable shelving with metal shelf clips
7	Full overlay stile and rail with veneered or painted MDF center panel and 6-way adjustable, concealed soft-close hinges
8	Full overlay 5-piece drawer front with 1/2" finger jointed hardwood dovetailed drawer box, 3/8" veneered plywood drawer bottom, and full extension undermount soft-close drawer glides
9	3/4" solid wood corner braces
10	4-1/2" high and 1/2" thick unfinished veneered plywood toe kick

LIFETIME LIMITED WARRANTY:



CERTIFICATIONS & COMPLIANCE:



MKT SPEC SHEET
© 2025 Choice Cabinet
All rights reserved.

Choice Essentials[®]

SPECIFICATIONS

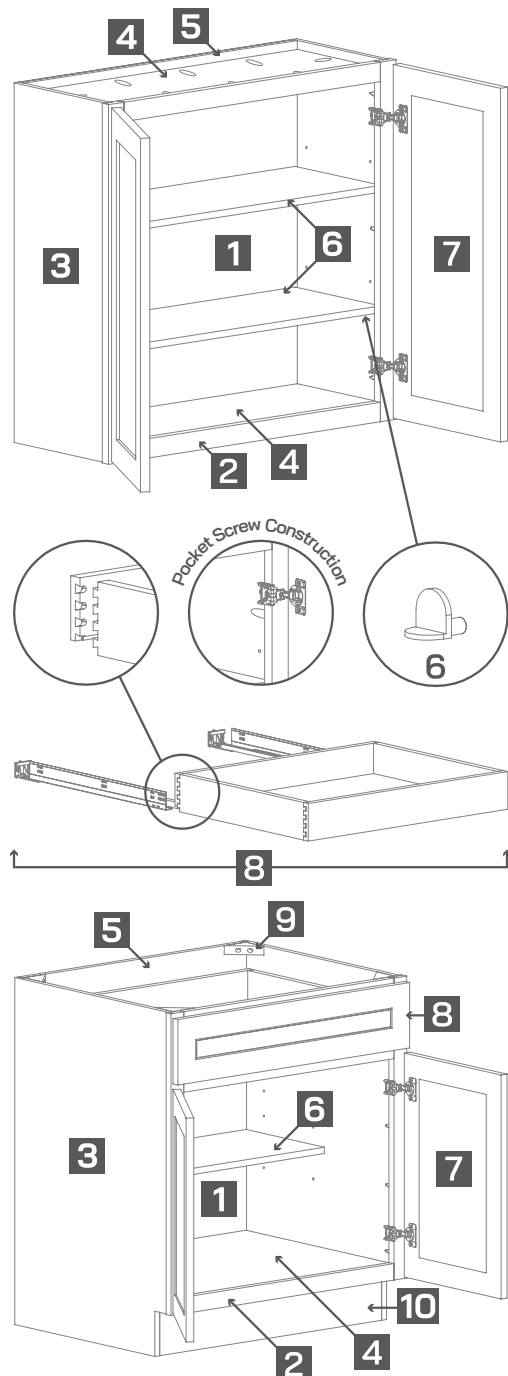
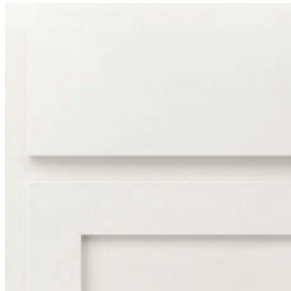


SUMMIT

SLATE

LATTE

ASH



Construction

1	Natural hardwood interior
2	3/4" solid hardwood face frame
3	1/2" veneered plywood end panels with matching exterior finish
4	1/2" veneered plywood captured floor and ceiling panels with natural finish
5	5/8" framed plywood back
6	3/4" veneered plywood half depth, adjustable shelving with metal shelf clips
7	Partial overlay stile and rail with veneered or painted MDF center panel and 6-way adjustable, concealed soft-close hinges
8	Partial overlay veneered or painted MDF slab drawer bottom, and 7/8 extension undermount soft-close drawer glides
9	3/4" solid wood corner braces
10	4-1/2" high and 1/2" thick unfinished veneered plywood toe kick

1-YEAR LIMITED WARRANTY:



CERTIFICATIONS & COMPLIANCE:



MKT SPEC SHEET
© 2025 Choice Cabinet
All rights reserved.