

Choice Premier®

1 - INTERIOR

Natural hardwood interior

2 - FACE FRAME

3/4" solid hardwood face frame

3 - END PANELS

5/8" veneered plywood end panels with natural finish

4 - CEILING & FLOOR PANELS

5/8" veneered plywood, captured ceiling and floor panels with natural finish

5 - BACK PANEL

Solid 5/8" veneered plywood panel

6 - SHELVES

3/4" veneered plywood, full depth, adjustable shelving with metal shelf clips

7 - DOOR FRONTS

Full overlay, solid hardwood stile and rail with soft close, 6-way adjustable hinges

8 - DRAWER BOX & FRONT

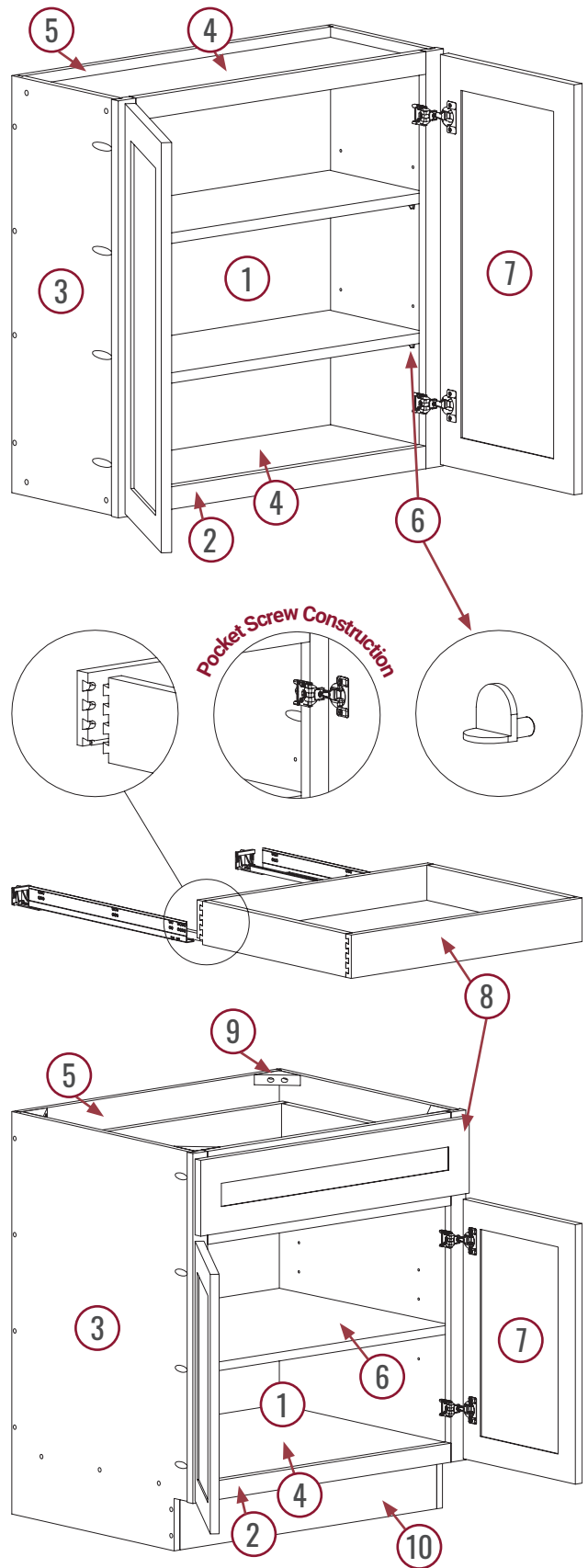
Full overlay drawer front with 3/4" finger jointed hardwood, dovetail drawer with 3/8" veneered plywood drawer bottom with soft close undermount glides

9 - CORNER BRACES

7/8" solid wood corner braces

10 - TOE KICK

4 1/2" high and 1/2" thick veneered plywood, unfinished toe kick



Quality of Construction

Choice Select®

1 - INTERIOR

Natural hardwood interior

2 - FACE FRAME

3/4" solid hardwood face frame

3 - END PANELS

1/2" veneered plywood end panels with natural finish

4 - CEILING & FLOOR PANELS

1/2" veneered plywood, captured ceiling and floor panels with natural finish

5 - BACK PANEL

5/8" framed back panel with plywood backing

6 - SHELVES

1/2" veneered plywood, half depth, adjustable shelving with metal shelf clips

7 - DOOR FRONTS

Full overlay, solid hardwood stile and rail with soft close, 6-way adjustable hinges

8 - DRAWER BOX & FRONT

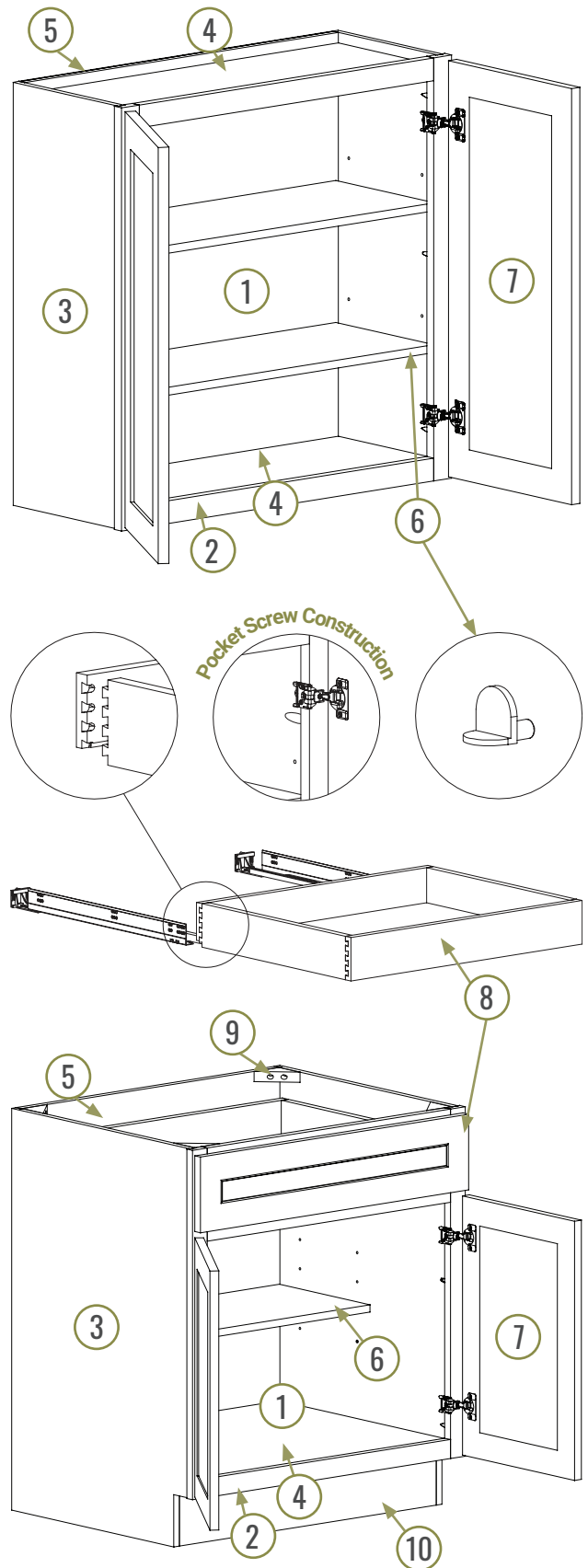
Full overlay drawer front with 1/2" finger jointed hardwood, dovetail drawer with 3/8" veneered plywood drawer bottom with soft close undermount glides

9 - CORNER BRACES

3/4" solid wood corner braces

10 - TOE KICK

4 1/2" high and 1/2" thick veneered plywood, unfinished toe kick



Choice Basics®

1 - INTERIOR

Natural hardwood interior

2 - FACE FRAME

3/4" solid hardwood face frame

3 - END PANELS

1/2" veneered plywood end panels with natural finish

4 - CEILING & FLOOR PANELS

3/8" veneered plywood, captured ceiling and floor panels with natural finish

5 - BACK PANEL

5/8" framed back panel with plywood backing

6 - SHELVES

1/2" veneered plywood, half depth, adjustable shelving with metal shelf clips

7 - DOOR FRONTS

Full overlay, solid hardwood stile and rail with 6-way adjustable hinges (soft close optional)

8 - DRAWER BOX & FRONT

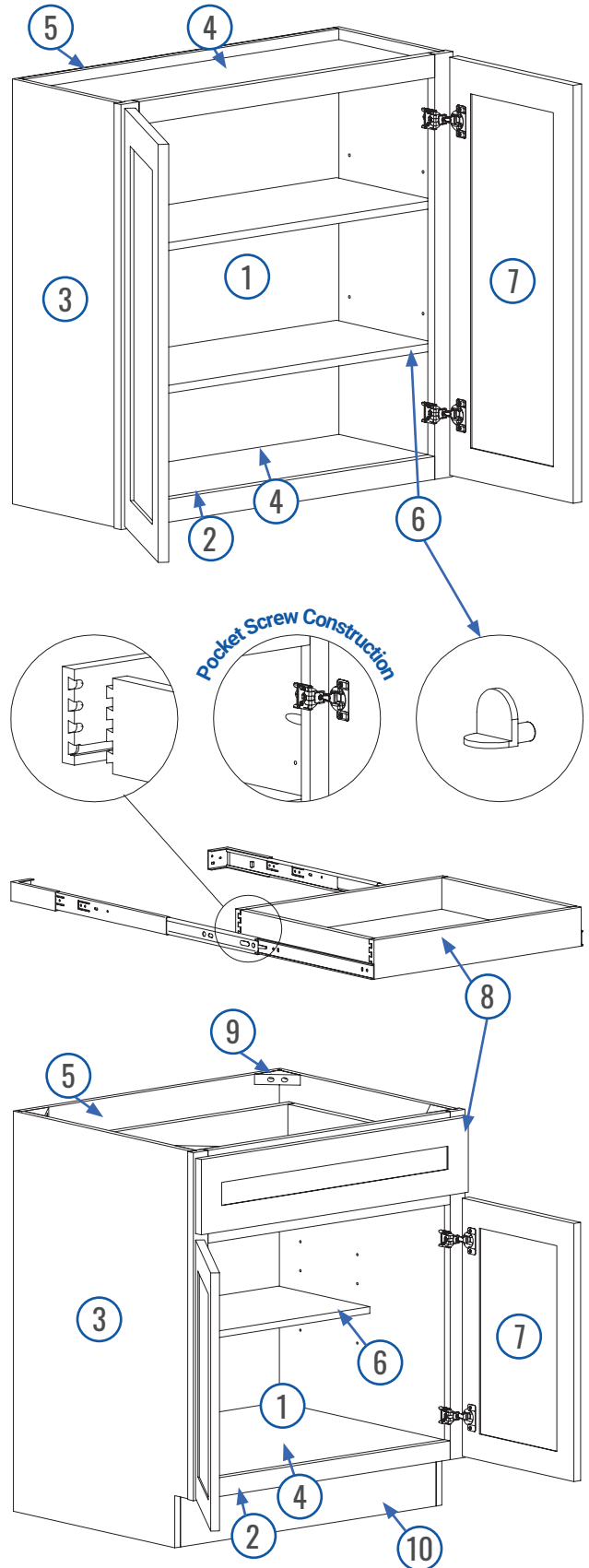
Full overlay drawer front with 5/8" veneered plywood, dovetail drawer with 3/8" veneered plywood drawer bottom with full extension, side mount drawer glides (soft close optional)

9 - CORNER BRACES

3/4" solid wood corner braces

10 - TOE KICK

4 1/2" high and 1/2" thick veneered plywood, unfinished toe kick



Choice Essentials®

1 - INTERIOR

Natural hardwood interior

2 - FACE FRAME

3/4" solid hardwood face frame

3 - END PANELS

1/2" veneered plywood end panels with natural finish

4 - CEILING & FLOOR PANELS

1/2" veneered plywood, captured ceiling and floor panels with natural finish

5 - BACK PANEL

5/8" framed back panel with plywood backing

6 - SHELVES

1/2" veneered plywood, half depth, adjustable shelving with metal shelf clips

7 - DOOR FRONTS

Partial overlay, solid hardwood stile and rail with 6-way adjustable hinges (soft close optional)

8 - DRAWER BOX & FRONT

Partial overlay drawer front with 5/8" veneered plywood, dovetail drawer with 3/8" veneered plywood drawer bottom with 3/4" extension, epoxy-coated undermount glides (soft close optional)

9 - CORNER BRACES

3/4" solid wood corner braces

10 - TOE KICK

4 1/2" high and 1/2" thick veneered plywood, unfinished toe kick

