



Elegant. Affordable.™



CHOICE PREMIER®

Jan-Jun 2019 Specification Guide

KCMA®

(Kitchen Cabinet Manufacturers Association)



ANSI/KCMA A161.1

CERTIFICATION

All of Choice Cabinet door styles are certified by the KCMA and comply with the requirements of ANSI/KCMA A161.1. A cabinet that bears the KCMA certification seal is recognized in the industry as a quality product capable of withstanding a battery of rigorous testing, simulating years of typical household use.

CARB2 CERTIFICATION



Choice Cabinet is proud to be a CARB2 Certified kitchen cabinet manufacturer. Our cabinets comply with the rules and regulations of composite wood products established by the California Code of Regulations, nationally implemented by the EPA in 2016.



Looking for help? Choice Cabinet Sales Support is here.



choicecabinet.com

Our customer-friendly website is available for use by our retail customers as well as our Choice Cabinet dealers. It contains a wealth of information about our complete line of products for purchase and our complete line of dealer sales support services.

Features of our website include:

- Designs and photos demonstrating the multiple ways Choice Cabinet products can be used throughout the home
- Consumer information about the uniqueness of our cabinets, the characteristics of wood, frequently asked questions, and the proper maintenance of caring for your cabinets
- Photos and sketches of our door styles by profile and finish
- Accessory options, such as decorative hardware, trash pull outs, and roll out shelving
- Directions for our easy-to-use "Plan Your Kitchen" planning guide



NetSuite

As a dealer of Choice Cabinet, you are provided 24-hour access to NetSuite, which helps you maximize your sales efforts by keeping you up to date with the latest Choice Cabinet products and brand information. It is quick, easy-to-use, and enables you to:

- Enter new orders and track order status
- Download or order product literature, like the Product Guides, Specification Guides, Pricing Spreadsheets, and the 20-20 Design Catalog
- Download promotional materials, such as campaign print ads, images and logos, videos, and much more
- Order samples and displays to showcase Choice products in your retail area



Choice Cabinet Customer Care

While websites are convenient, sometimes you just need to talk to a person. Choice Cabinet Customer Care is here to help. Your consultant can help with:

- Placing an order or answering product questions
- Following up on orders or tracking a delivery
- Addressing billing and invoice questions

Feel free to contact Choice Cabinet Customer Care whenever you have a question or a concern.

Choice Cabinet Customer Care




855.378.2828 | orders@choicecabinet.com

TABLE OF CONTENTS

Door Styles	
<i>Aspen</i>	2
<i>Cambridge</i>	2
<i>Driftwood</i>	3
<i>Hampton</i>	3
<i>Kensington</i>	3
<i>Renaissance</i>	4
<i>Vista</i>	4
Cabinet Construction	5
Wall Cabinets	6
Base Cabinets	19
Tall Cabinets	29
Bath Cabinets	33
Panels and Skins	37
Molding and Trim	43
Accessories	54
Hardware	56
Touch-Up	62
Sales and Marketing	65
Cleaning, Care, and Maintenance	69
Product and Finish Information	71
Lifetime Limited Warranty	72
Notes	74
Index	77

DOOR STYLES

DOOR CONSTRUCTION KEY

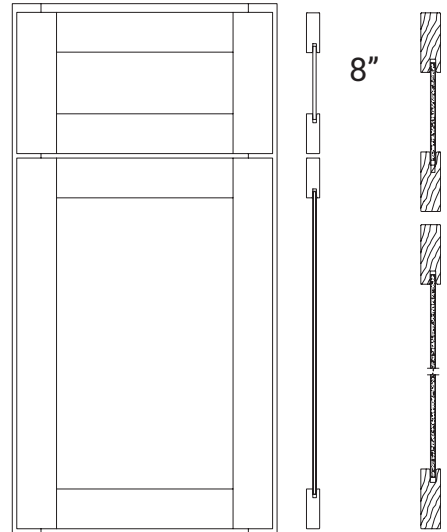
-  Indicates solid wood
-  Indicates veneered MDF
-  Indicates veneered plywood



Aspen

Order Code: **ASP**

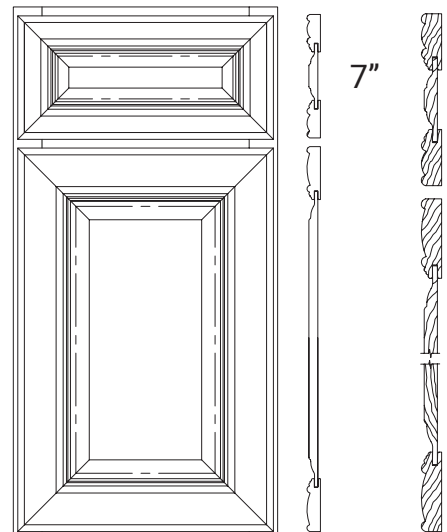
- Full overlay door style
- Hardwood species
- Solid wood mortis and tenon stile and rail
- 5-piece drawer front
- Painted MDF center panel
- White paint

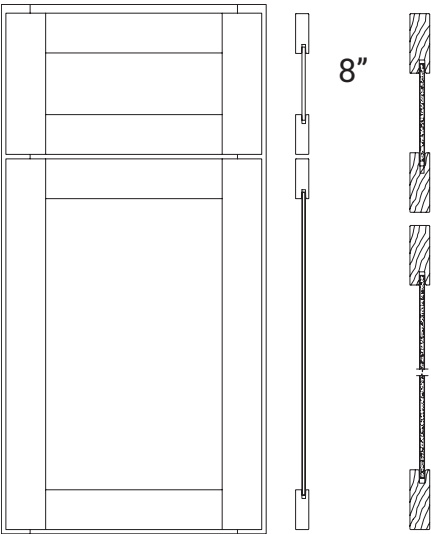


Cambridge

Order Code: **CAM**

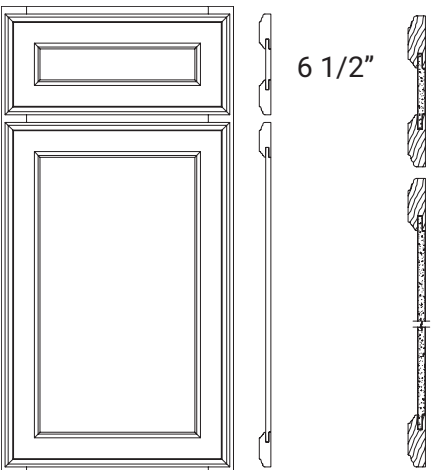
- Full overlay door style
- Hardwood species
- Solid wood mitered stile and rail
- 5-piece drawer front
- Solid wood center panel
- Mid-tone brown stain with burnishing stain





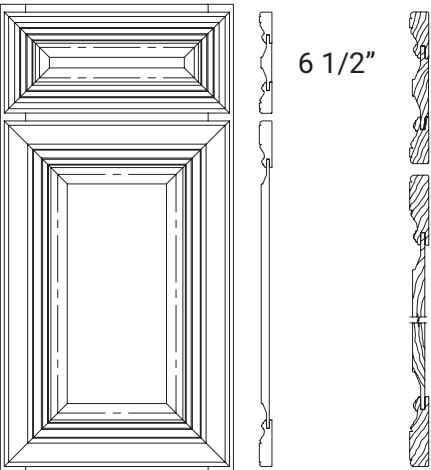
Driftwood Order Code: **DRF**

- Full overlay door style
- Hardwood species
- Solid wood mortis and tenon stile and rail
- 5-piece drawer front
- Painted MDF center panel
- Gray paint



Hampton Order Code: **HAM**

- Full overlay door style
- Hardwood species
- Solid wood mortis and tenon stile and rail
- 5-piece drawer front
- Painted MDF center panel
- White paint



Kensington Order Code: **KEN**

- Full overlay door style
- Hardwood species
- Solid wood mitered stile and rail
- 5-piece drawer front
- Solid wood center panel
- Deep walnut stain

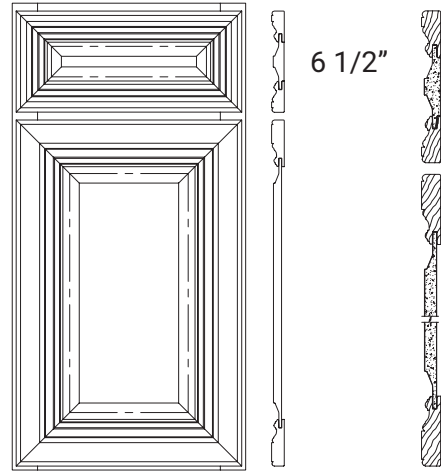


DOOR STYLES



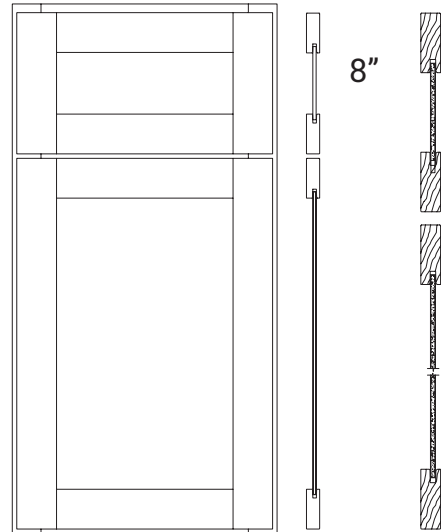
Renaissance Order Code: REN

- Full overlay door style
- Hardwood species
- Solid wood mitered stile and rail
- 5-piece drawer front
- Painted MDF center panel
- Cream paint with caramel glaze



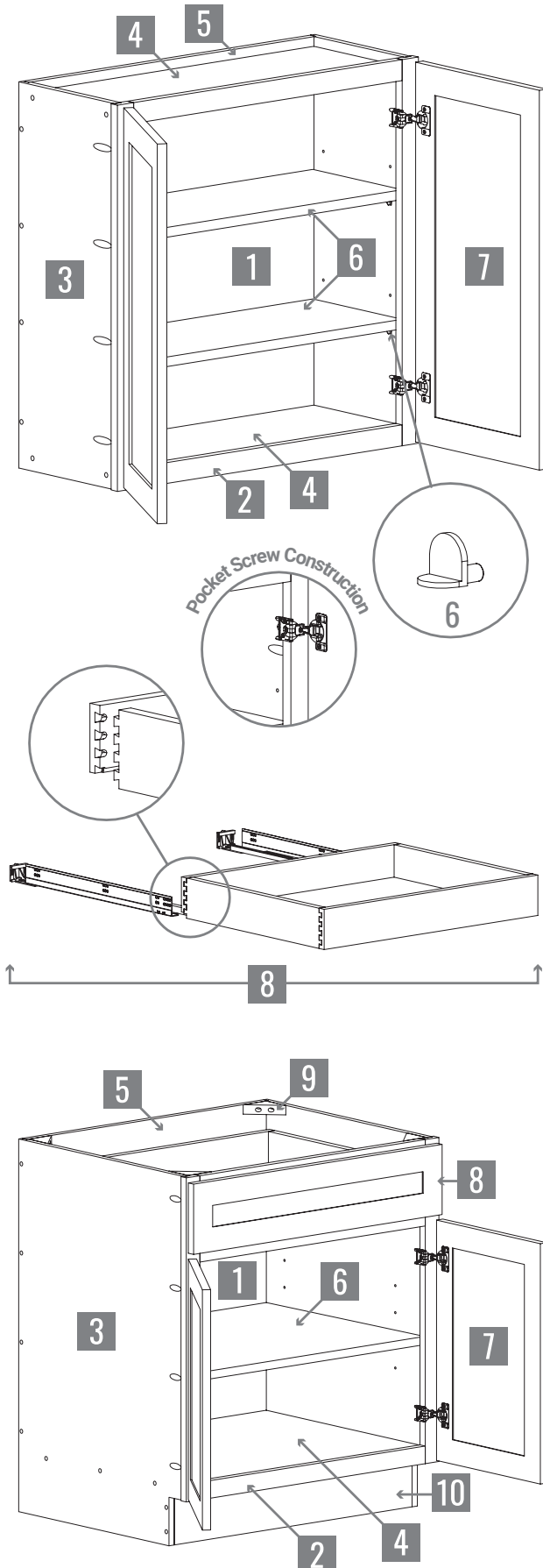
Vista Order Code: VIS

- Full overlay door style
- Hardwood species
- Solid wood mortis and tenon stile and rail
- 5-piece drawer front
- Veneered MDF center panel
- Dark brown stain



NOTES

CABINET CONSTRUCTION



1 • INTERIOR

Natural hardwood interior

2 • FACE FRAME

3/4" solid hardwood face frame

3 • END PANELS

5/8" veneered plywood end panels with matching exterior finish

4 • FLOOR & CEILING PANELS

5/8" veneered plywood, captured floor and ceiling panels with natural finish

5 • BACK PANEL

5/8" framed with plywood back*

6 • SHELVING

3/4" veneered plywood, full depth, adjustable shelving with metal shelf clips**

7 • DOOR FRONT

Full overlay, solid hardwood stile and rail*** with 6-way adjustable, concealed, soft close hinges

8 • DRAWER BOX

Full overlay drawer front with 3/4" finger jointed hardwood, dovetail drawer box with 3/8" veneered plywood bottom and full extension, undermount, soft close drawer glides (rated 100 lbs.)

9 • CORNER BRACES

7/8" solid wood corner braces

10 • TOE KICK

4 1/2" high and 1/2" thick veneered plywood, unfinished toe kick

(*) Temporary variance may occur in back panel construction.

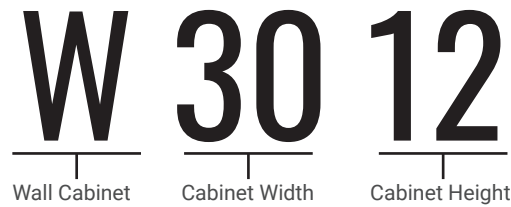
(**) Temporary variance may occur in shelf thickness.

(***) Either mortis and tenon or mitered depending on door style.

WALL CABINETS

CABINET NOMENCLATURE

The letter(s) represent the type of cabinet, the first set of numbers represents the width of the cabinet, and the second set of numbers represents the height of the cabinet.



Whenever a cabinet is shorter or deeper than the standard 12" for wall cabinets, it is represented by a third set of numbers.



ORDER CODING

All wall cabinet order coding begins with the door order code

Example: **ASP W1812**

SPECIAL NOTES

- Wall cabinetry is 12" deep less otherwise noted
- Single door wall cabinetry is hinged on the right side of the face frame but can be flipped as necessary

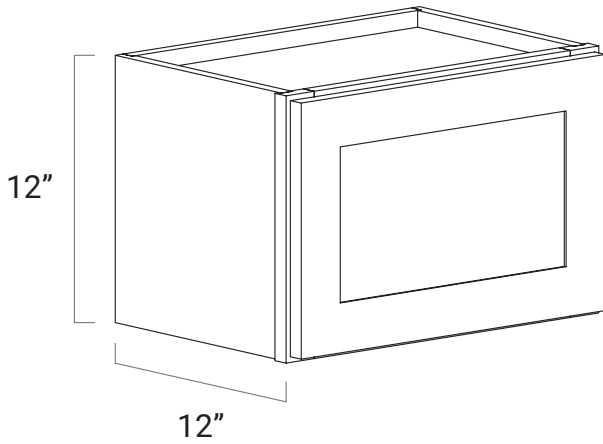
AVAILABILITY KEY

●	Indicates availability
○	Indicates limited availability
	Indicates no availability



Look for the light bulb for helpful design tips!

WALL CABINETS

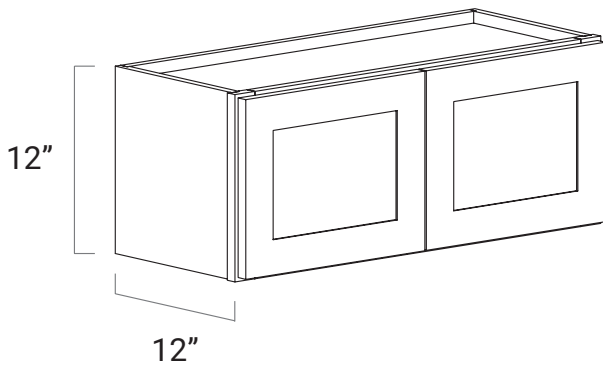


Wall Bridge Single Door 12" High

Order Code: **W1812**

- No shelf

<input checked="" type="radio"/>	ASP
<input checked="" type="radio"/>	CAM
<input checked="" type="radio"/>	DRF
<input checked="" type="radio"/>	HAM
<input type="radio"/>	KEN
<input checked="" type="radio"/>	REN
<input type="radio"/>	VIS



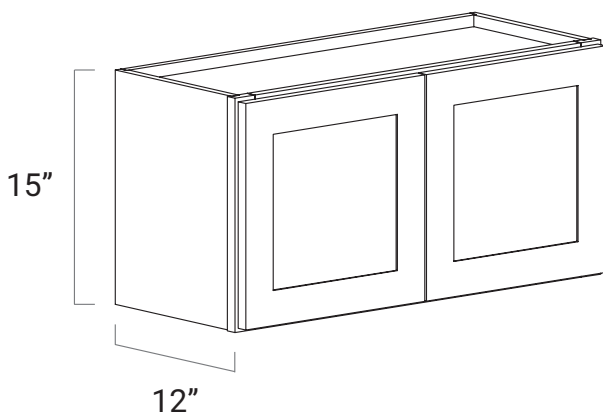
Wall Bridge Double Door 12" High

Order Code: **W2412***
W3012
W3312()**
W3612

- One adjustable shelf

<input checked="" type="radio"/>	ASP
<input checked="" type="radio"/>	CAM
<input checked="" type="radio"/>	DRF
<input checked="" type="radio"/>	HAM
<input type="radio"/>	KEN
<input checked="" type="radio"/>	REN
<input type="radio"/>	VIS

(* Limited stock - not available in ASP
(**) Limited stock



Wall Bridge Double Door 15" High

Order Code: **W2415***
W3015
W3315**
W3615

- No shelf

<input checked="" type="radio"/>	ASP
<input checked="" type="radio"/>	CAM
<input checked="" type="radio"/>	DRF
<input checked="" type="radio"/>	HAM
<input type="radio"/>	KEN
<input checked="" type="radio"/>	REN
<input type="radio"/>	VIS

(* Limited stock - not available in DRF
(**) Limited stock

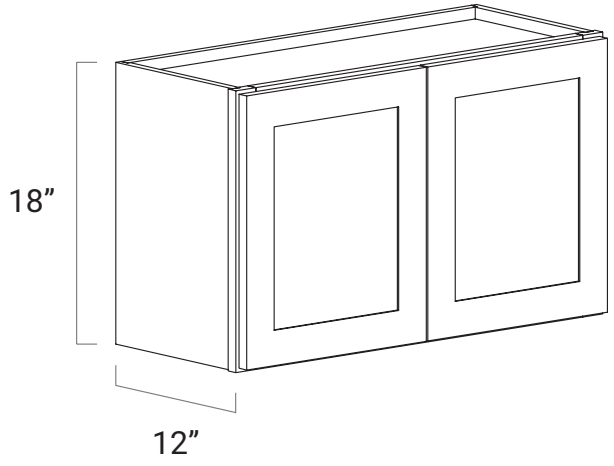
WALL CABINETS

Wall Bridge Double Door 18" High

Order Code: **W2418***
W3018
W3318**
W3618

- One adjustable shelf

●	ASP
●	CAM
●	DRF
●	HAM
○	KEN
●	REN
○	VIS



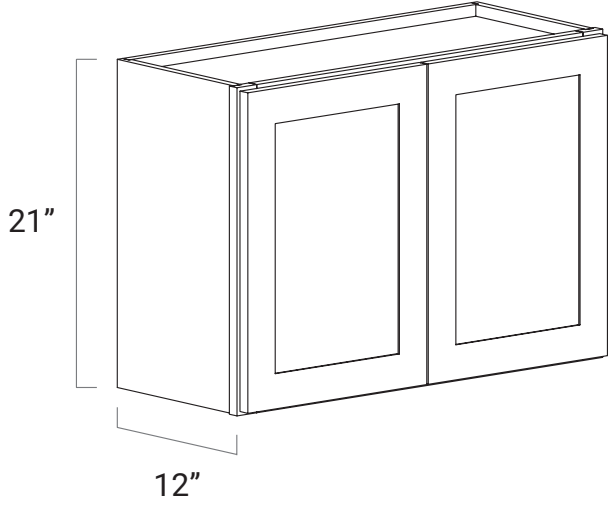
(*) Not available in VIS
(**) Limited stock

Wall Bridge Double Door 21" High

Order Code: **W3021**
W3321*
W3621**

- One adjustable shelf

●	ASP
●	CAM
●	DRF
●	HAM
○	KEN
●	REN
○	VIS



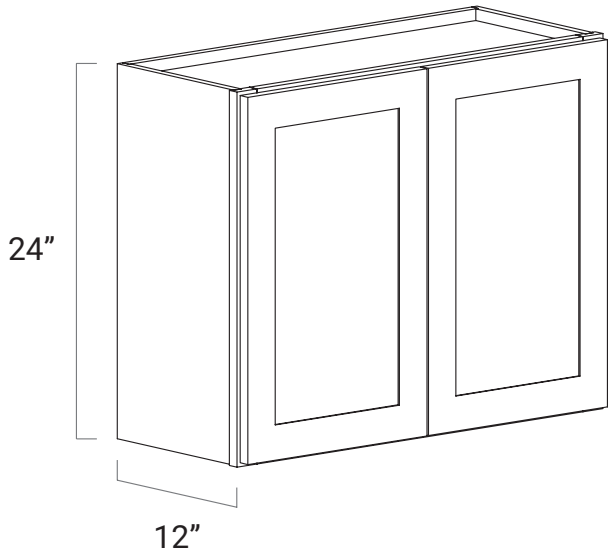
(*) Limited stock - not available in DRF
(**) Limited stock - not available in ASP or DRF

Wall Bridge Double Door 24" High

Order Code: **W3024**
W3324*
W3624

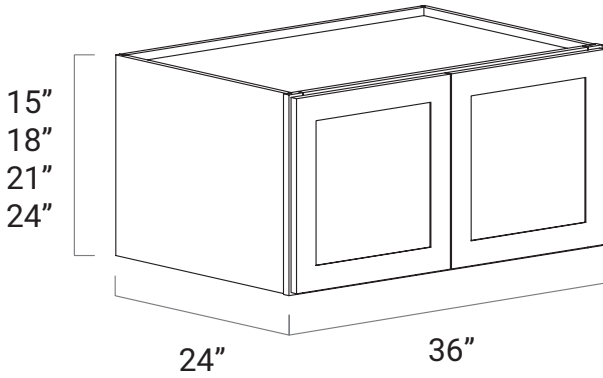
- One adjustable shelf

●	ASP
●	CAM
●	DRF
●	HAM
○	KEN
●	REN
○	VIS



(*) Limited stock

Wall Bridge Refrigerator Double Door 24" Deep



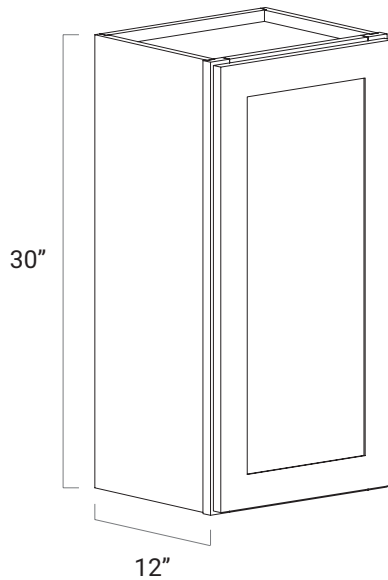
<input checked="" type="radio"/>	ASP
<input checked="" type="radio"/>	CAM
<input checked="" type="radio"/>	DRF
<input checked="" type="radio"/>	HAM
<input type="radio"/>	KEN
<input checked="" type="radio"/>	REN
<input type="radio"/>	VIS

Order Code: **W361524**
W361824
W362124*
W362424

- One adjustable shelf (**W361524** has no shelf)
- Must install between a combination of cabinets, refrigerator panels, or two walls

(* Limited stock - not available in ASP or DRF)

Wall Single Door 30" High

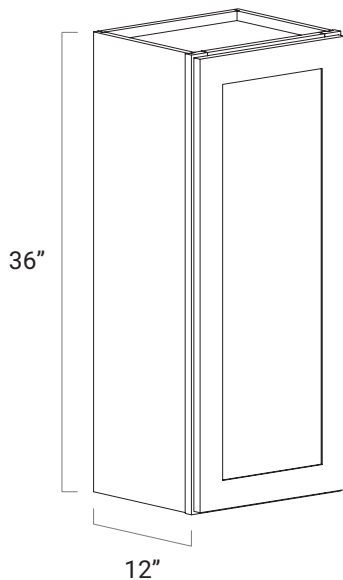


<input checked="" type="radio"/>	ASP
<input checked="" type="radio"/>	CAM
<input checked="" type="radio"/>	DRF
<input checked="" type="radio"/>	HAM
<input type="radio"/>	KEN
<input checked="" type="radio"/>	REN
<input type="radio"/>	VIS

Order Code: **W0930**
W1230
W1530
W1830
W2130

- Two adjustable shelves

Wall Single Door 36" High



<input checked="" type="radio"/>	ASP
<input checked="" type="radio"/>	CAM
<input checked="" type="radio"/>	DRF
<input checked="" type="radio"/>	HAM
<input type="radio"/>	KEN
<input checked="" type="radio"/>	REN
<input type="radio"/>	VIS

Order Code: **W0936**
W1236
W1536
W1836
W2136

- Two adjustable shelves

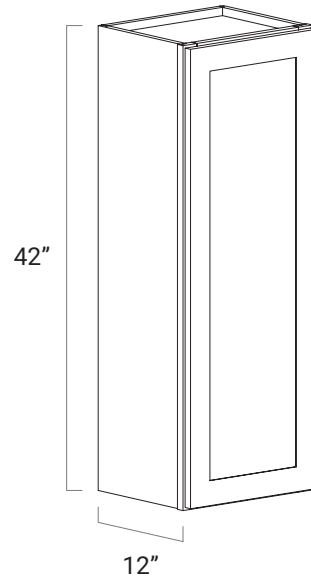
WALL CABINETS

Wall Single Door 42" High

Order Code: **W0942**
W1242
W1542
W1842
W2142

●	ASP
●	CAM
●	DRF
●	HAM
○	KEN
●	REN
○	VIS

- Three adjustable shelves

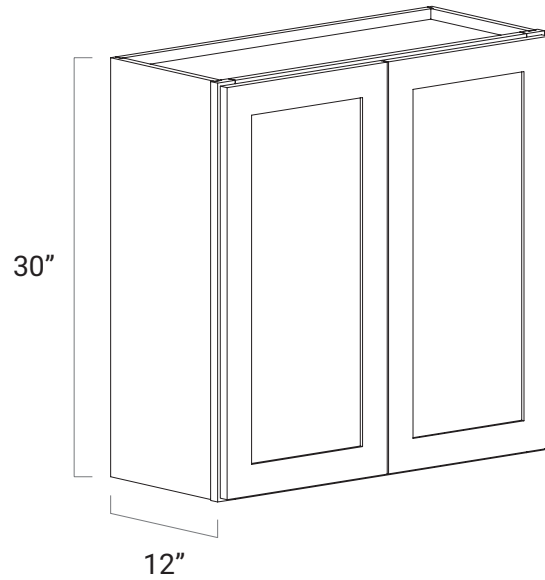


Wall Double Door 30" High

Order Code: **W2430**
W2730
W3030
W3330
W3630

●	ASP
●	CAM
●	DRF
●	HAM
○	KEN
●	REN
○	VIS

- Two adjustable shelves

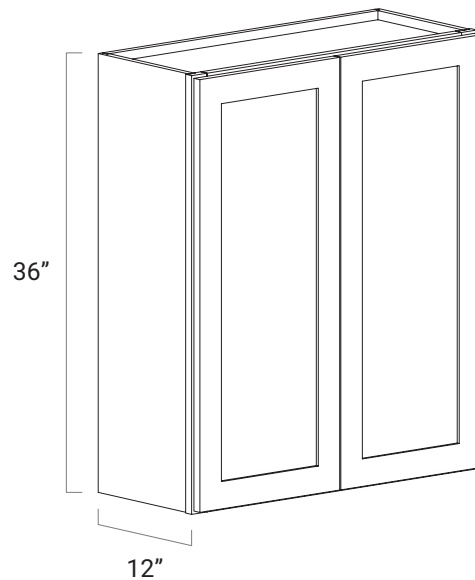


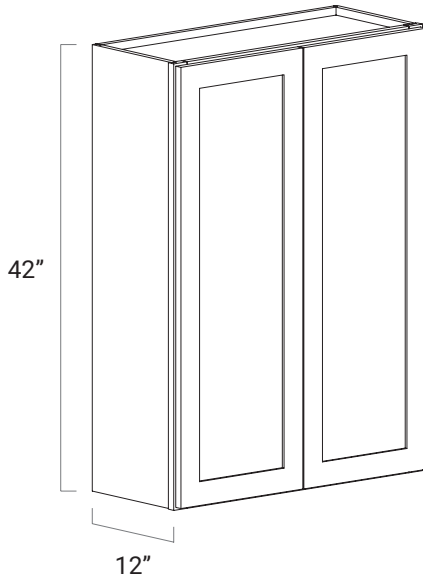
Wall Double Door 36" High

Order Code: **W2436**
W2736
W3036
W3336
W3636

●	ASP
●	CAM
●	DRF
●	HAM
○	KEN
●	REN
○	VIS

- Two adjustable shelves



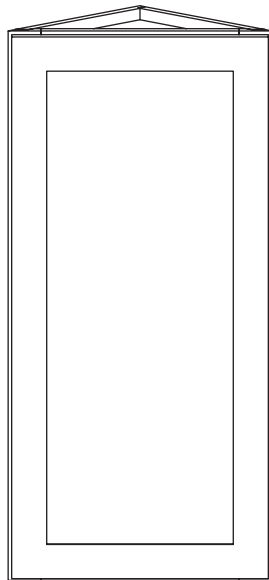


Wall Double Door 42" High

Order Code: **W2442**
W2742
W3042
W3342
W3642

●	ASP
●	CAM
●	DRF
●	HAM
○	KEN
●	REN
○	VIS

- Three adjustable shelves



Angled Triangle Wall

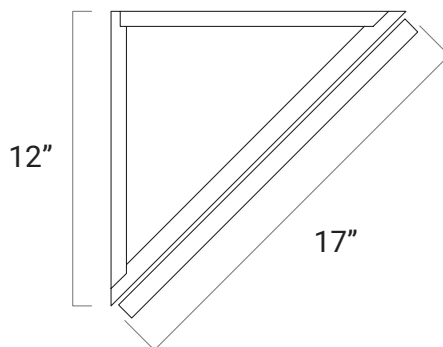
Order Code: **ATW1230**
ATW1236
ATW1242*

●	ASP
●	CAM
●	DRF
●	HAM
○	KEN
●	REN
○	VIS

- Pre-assembled
- Two adjustable shelves
- Soft close functionality requires **SCFMP** (pg. 61)

(*) **ATW1242** has three adjustable shelves

TOP VIEW



WALL CABINETS

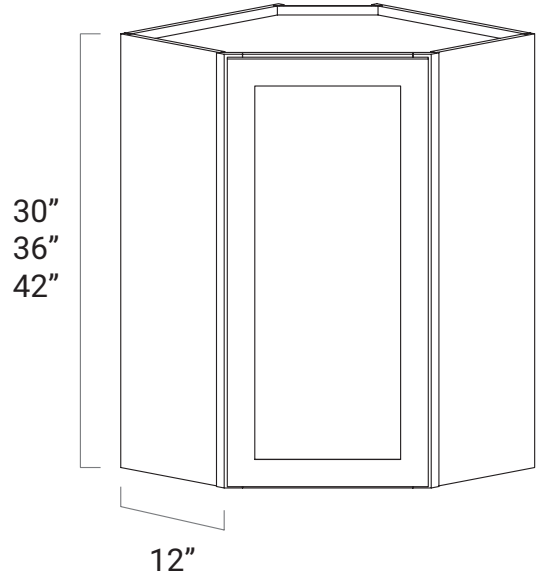
Wall Diagonal Corner 12" Deep

Order Code: **WDC2430**
WDC2436
WDC2442*

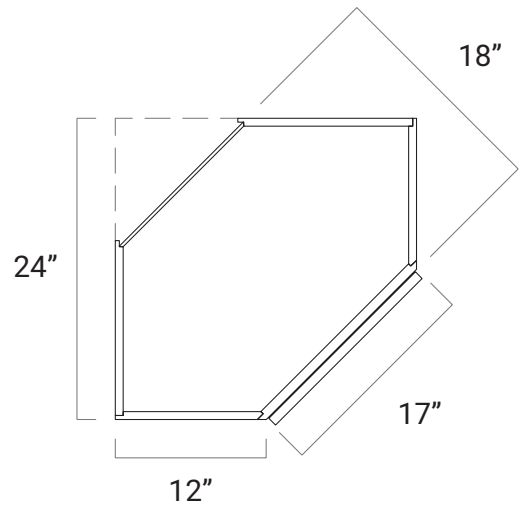
- 12" deep, 24" wide
- Two adjustable shelves
- Soft close functionality requires **SCFMP** (pg. 61)

(* **WDC2442** has three adjustable shelves)

●	ASP
●	CAM
●	DRF
●	HAM
○	KEN
●	REN
○	VIS

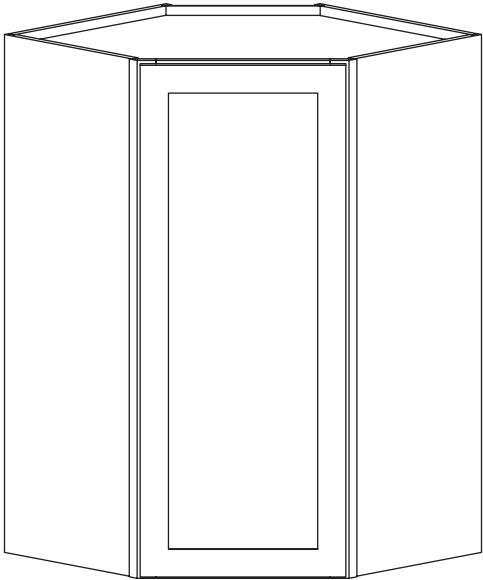


TOP VIEW



Build out 3" from wall to portray deeper sides (dimensional)

NOTES



Wall Diagonal Corner 15" Deep

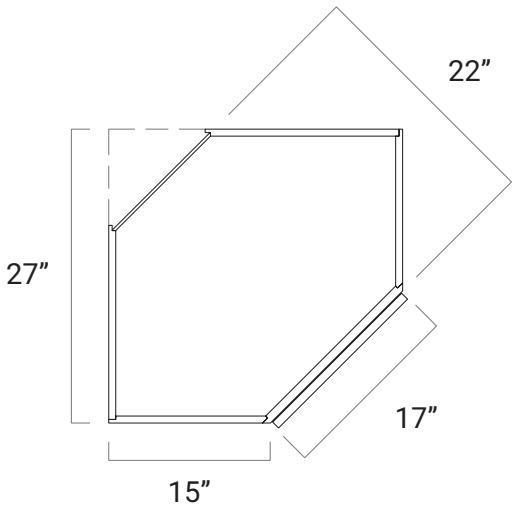
<input type="radio"/>	ASP
<input type="radio"/>	CAM
<input type="radio"/>	DRF
<input type="radio"/>	HAM
<input type="radio"/>	KEN
<input type="radio"/>	REN
<input type="radio"/>	VIS

Order Code: **WDC2736**
WDC2742*

- 15" deep, 27" wide
- Two adjustable shelves
- Design with straggered height wall cabinets, allowing crown on adjacent cabinetry to tie into 15" deep sides
- Soft close functionality requires **SCFMP** (pg. 61)

(*) **WDC2442** has three adjustable shelves

TOP VIEW



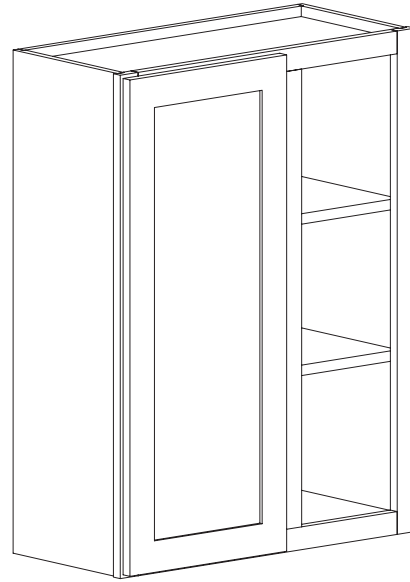
NOTES

WALL CABINETS

Wall Blind Corner

Order Code: **WBC2830**
WBC2836
WBC2842*

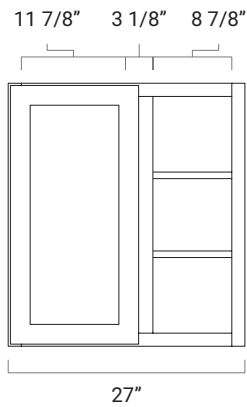
●	ASP
●	CAM
●	DRF
●	HAM
○	KEN
●	REN
○	VIS



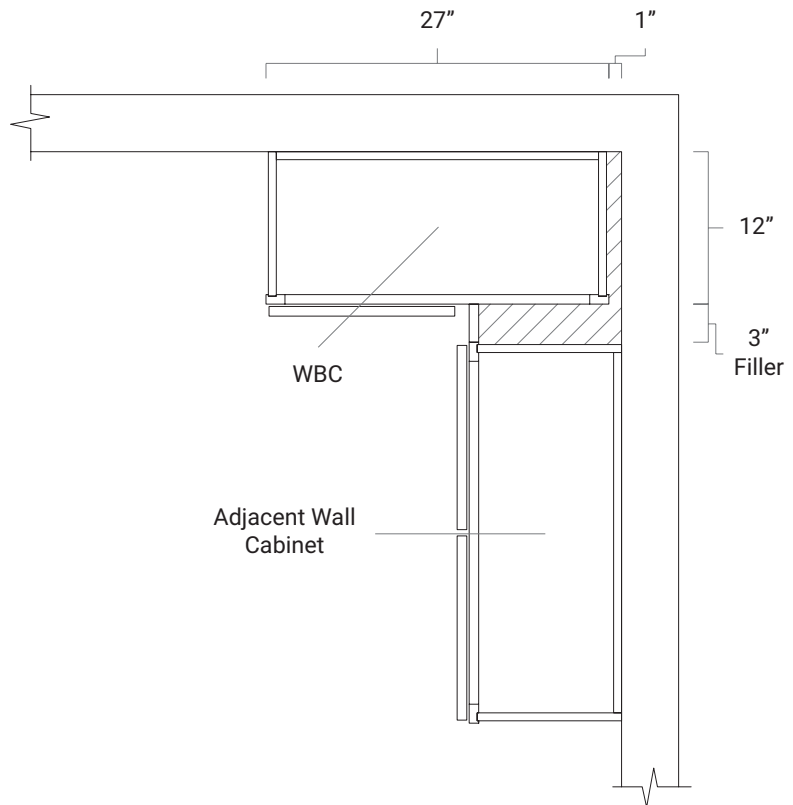
- 27" wide
- Two adjustable shelves
- Must be pulled 1" from the adjacent wall for a total of 28" wide
- 3" wall filler included
- Cabinet can be flipped for left/right application
- Hinges are located on center stile of the face frame and can be flipped as necessary
- Same size door and opening as **W1530** (pg. 9)

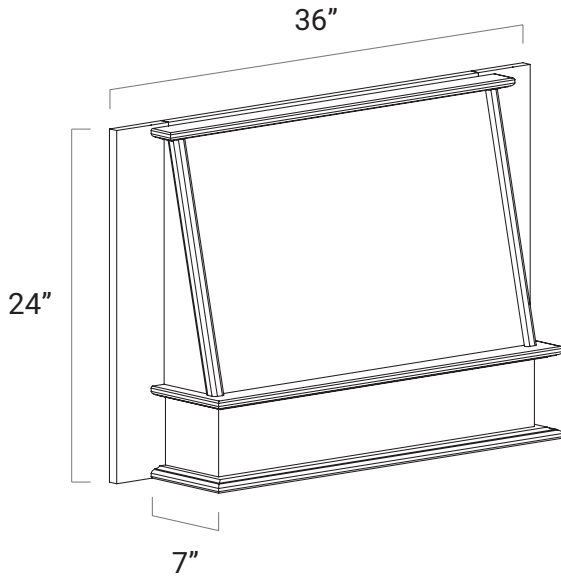
(* **WBC2842** has three adjustable shelves)

FACE FRAME
 OPENING DIMENSIONS



INSTALLATION DIAGRAM





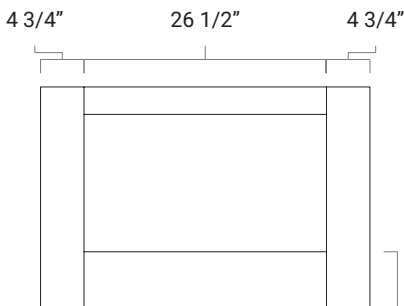
Wall Range Hood Front

Order Code: **WRHF36-3024**

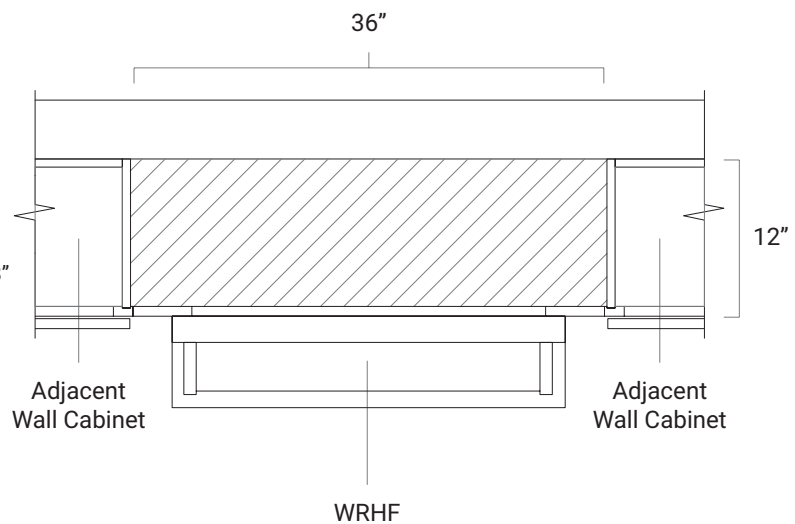
●	ASP
●	CAM
●	DRF
●	HAM
○	KEN
●	REN
○	VIS

- Must be installed between two cabinets for support
- Before installing **WRHF36-3024**, the blower should be installed and the depth adjusted using fillers and/or panels to fit the blower
- **WRHF36-3024** can be pulled from wall (15", 18", ...) per vent requirements
- Sides can be trimmed down to accommodate a 30" opening
- See **NKBA Standard Cooking Surface Clearance** for installation requirements

BACK VIEW



INSTALLATION DIAGRAM



NKBA STANDARD COOKING SURFACE CLEARANCE

RECOMMENDED

- Allow 24" of clearance between the cooking surface and a protected, non-combustible surface (e.g. a range hood) above it.

CODE REQUIREMENT

- At least 30" of clearance is required between the cooking surface and an unprotected, combustible surface (e.g. cabinetry) above it.*
- If a microwave hood is used, then the manufacturer's specifications should be followed.

(*) IRC M 1901.1 and IRC G 244705

Source: National Kitchen and Bath Association

WALL CABINETS

Wall Easy Reach

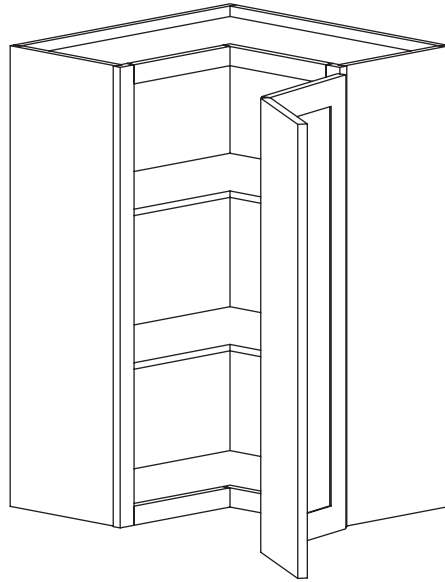
Order Code: **WEZR2430**
WEZR2436**
WEZR2442*()**

- Bi-folding door
- Two adjustable shelves
- Soft close not available

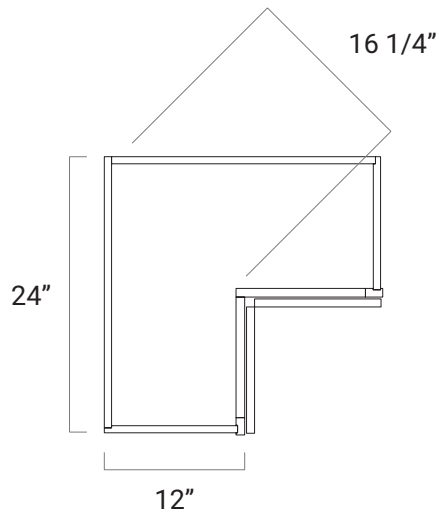
(* **WEZR2442** has three adjustable shelves)

(**) Limited stock

●	ASP
●	CAM
●	DRF
●	HAM
○	KEN
●	REN
○	VIS



TOP VIEW

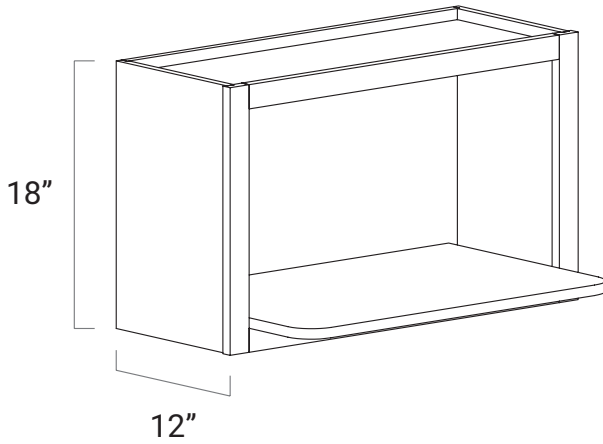


Great use under soffits.

NOTES

WALL CABINETS

Wall Microwave



Order Code: **MC3018**

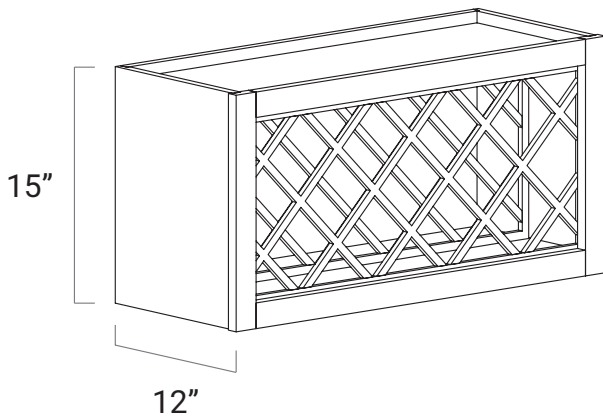
- Intended for "countertop" style microwave
- Unfinished interior
- Finished shelf is 5/8" thick and 18" deep
- Intended for installation between two cabinets or a cabinet and a wall

<input checked="" type="radio"/>	ASP
<input type="radio"/>	CAM
<input type="radio"/>	DRF
<input checked="" type="radio"/>	HAM
<input type="radio"/>	KEN
<input checked="" type="radio"/>	REN
<input type="radio"/>	VIS

OPENING DIMENSIONS

	WIDTH	HEIGHT	DEPTH
Interior Dimension	28 1/4"	14 1/4"	10 5/8"
Frame Opening w/Shelf	26 3/4"	14"	17 1/2"

Wine Rack

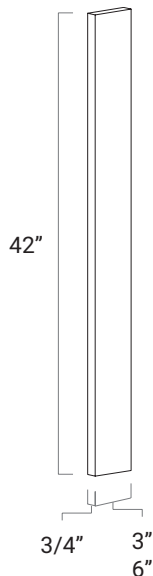


Order Code: **WR3015**

- Finished interior
- Holds up to thirteen 750ml. bottles
- Can be used horizontally or vertically
- Can be used in a wall or base application

<input checked="" type="radio"/>	ASP
<input checked="" type="radio"/>	CAM
<input checked="" type="radio"/>	DRF
<input checked="" type="radio"/>	HAM
<input type="radio"/>	KEN
<input checked="" type="radio"/>	REN
<input type="radio"/>	VIS

Wall Filler



Order Code: **WF342**
WF642

- 3/4" thick, solid wood
- Finished front and sides
- Cut width/height to fit as necessary

<input checked="" type="radio"/>	ASP
<input checked="" type="radio"/>	CAM
<input checked="" type="radio"/>	DRF
<input checked="" type="radio"/>	HAM
<input type="radio"/>	KEN
<input checked="" type="radio"/>	REN
<input type="radio"/>	VIS

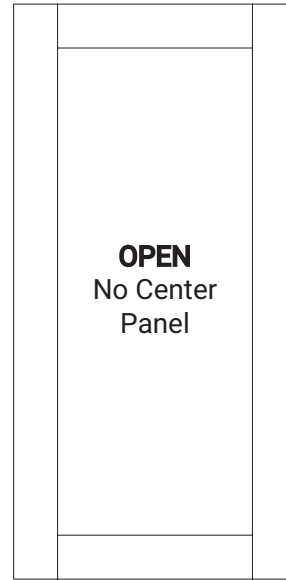
WALL CABINETS

Cut Glass for Door

Order Code: **CDFG**

- Glass not included

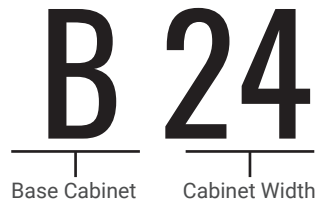
●	ASP
●	CAM
●	DRF
●	HAM
●	KEN
●	REN
●	VIS



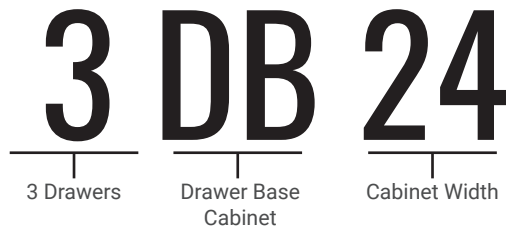
NOTES

CABINET NOMENCLATURE

The letter(s) represent the name of the cabinet, and the following set of numbers represents the width of the cabinet.



Whenever a base cabinet has all drawers and no doors, also known as a drawer base, the cabinet code will start with a number. This represents the number of drawers the cabinet has.



ORDER CODING

All base cabinet order coding begins with the door order code

Example: **ASP B09**

SPECIAL NOTES

- Base cabinetry is 24" deep less otherwise noted
- Single and bi-fold door base cabinetry is hinged on the right side of the face frame but can be flipped as necessary

AVAILABILITY KEY

●	Indicates availability
○	Indicates limited availability
	Indicates no availability



Look for the light bulb for helpful design tips!

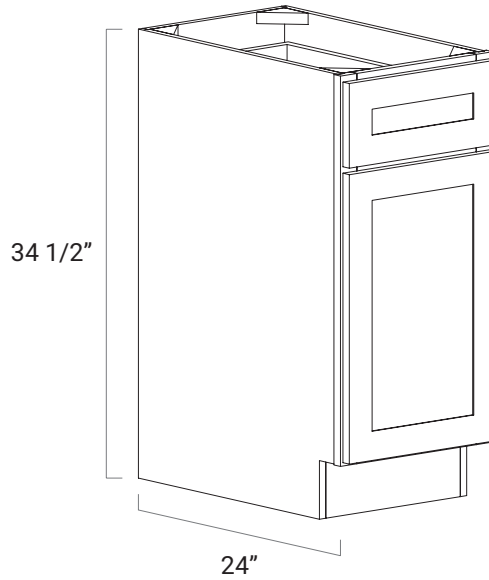
BASE CABINETS

Base Single Door

Order Code: **B09**
B12
B15
B18
B21

●	ASP
●	CAM
●	DRF
●	HAM
○	KEN
●	REN
○	VIS

- One adjustable shelf



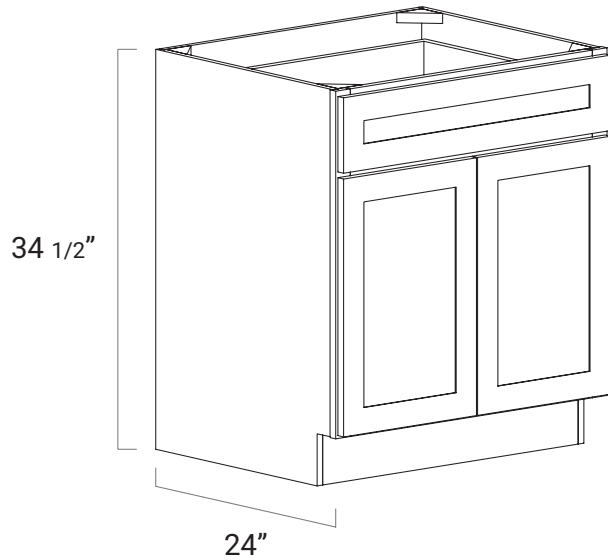
The **B09** is a great cabinet to use for storing trays, baking sheets, and cutting boards.

Base Double Door

Order Code: **B24**
B27
B30
B33
B36

●	ASP
●	CAM
●	DRF
●	HAM
○	KEN
●	REN
○	VIS

- One adjustable shelf

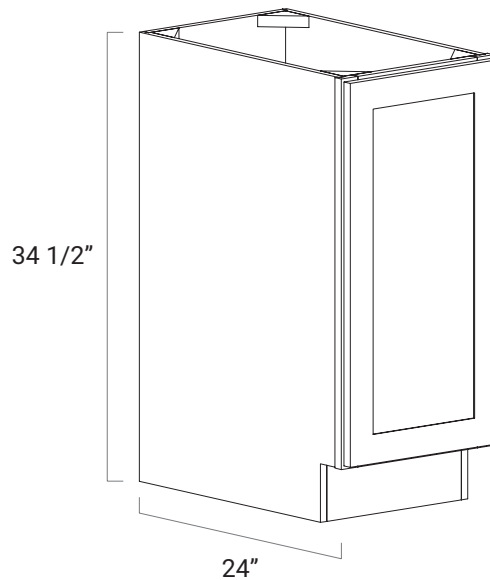


Base Full Height

Order Code: **BFH09**
BFH12
BFH15
BFH18
BFH21

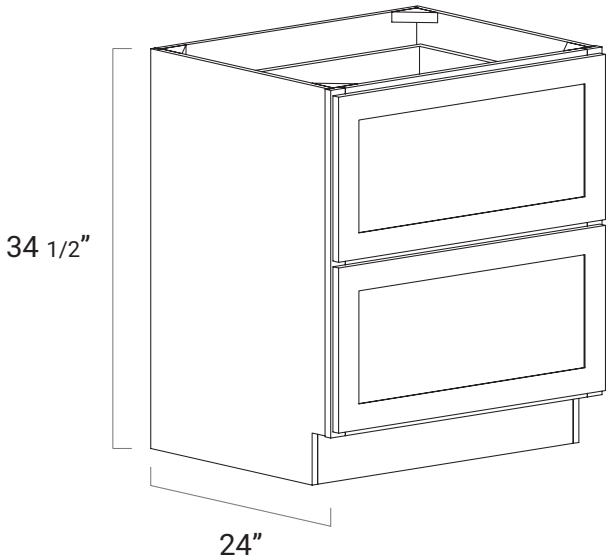
●	ASP
●	CAM
●	DRF
●	HAM
○	KEN
●	REN
○	VIS

- One adjustable shelf



The **BFH09** is a great cabinet to use for storing trays, baking sheets, and cutting boards.

BASE CABINETS



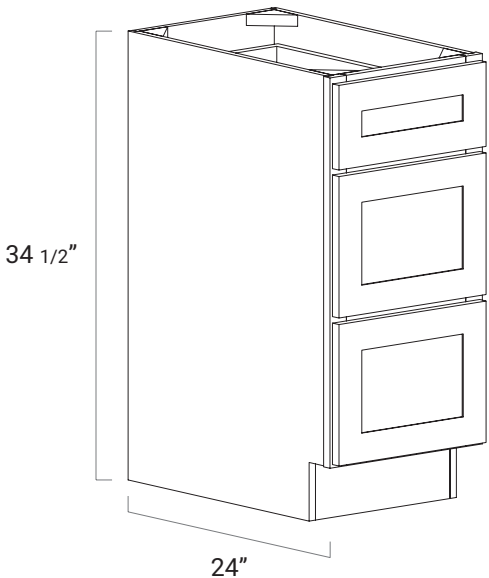
Two Drawer Base

Order Code: **2DB30**
2DB36

- Two deep drawers
- Heavy load-bearing, full extension glides
 - Rated for 100 lbs.

<input checked="" type="radio"/>	ASP
<input checked="" type="radio"/>	CAM
<input checked="" type="radio"/>	DRF
<input checked="" type="radio"/>	HAM
<input type="radio"/>	KEN
<input checked="" type="radio"/>	REN
<input type="radio"/>	VIS

Great for storing pots and pans near a cooking station.



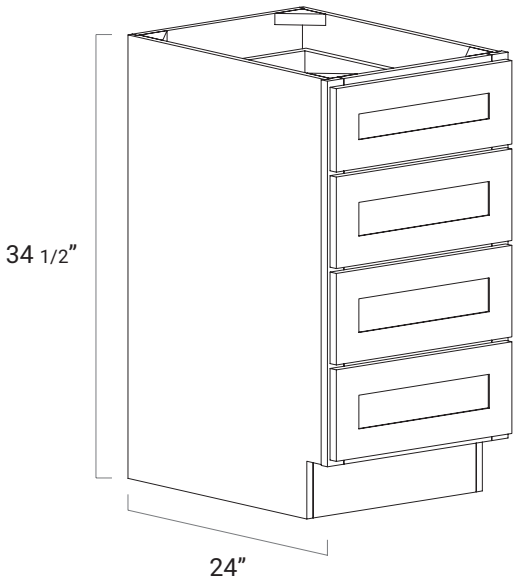
Three Drawer Base

Order Code: **3DB15** **3DB18**
3DB21 **3DB24**
3DB27 **3DB30**
3DB33 **3DB36**

- Two deep drawers
- Top drawer aligns with standard base cabinetry

<input checked="" type="radio"/>	ASP
<input checked="" type="radio"/>	CAM
<input checked="" type="radio"/>	DRF
<input checked="" type="radio"/>	HAM
<input type="radio"/>	KEN
<input checked="" type="radio"/>	REN
<input type="radio"/>	VIS

Wider drawer bases are great for storing utensils, pots, and pans near a cooking station.



Four Drawer Base

Order Code: **4DB15**
4DB18

- Four standard drawers
- Top drawer aligns with standard base cabinetry

<input type="radio"/>	ASP
<input type="radio"/>	CAM
<input type="radio"/>	DRF
<input type="radio"/>	HAM
<input type="radio"/>	KEN
<input type="radio"/>	REN
<input type="radio"/>	VIS

BASE CABINETS

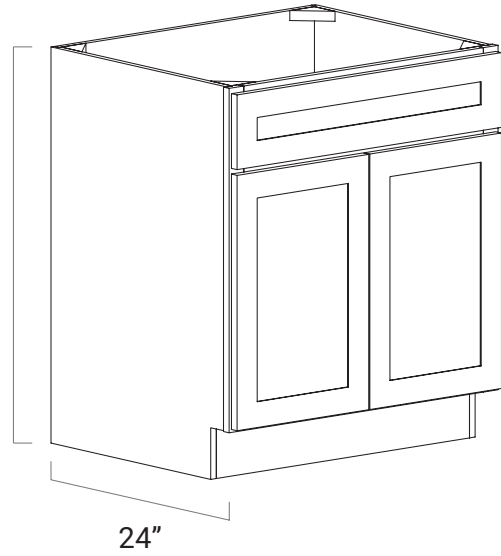
Sink Base

Order Code: **SB30**
SB33
SB36

- False drawer front

●	ASP
●	CAM
●	DRF
●	HAM
○	KEN
●	REN
○	VIS

34 1/2"



24"

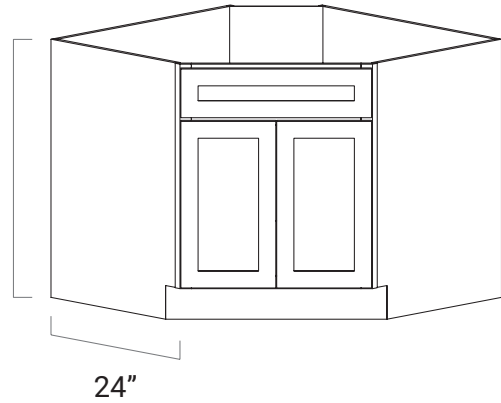
Sink Base Diagonal

Order Code: **SBD42**

- False door front
- No shelf
- Soft close functionality requires **SCFMP** (pg. 61)

○	ASP
○	CAM
	DRF
○	HAM
○	KEN
○	REN
○	VIS

34 1/2"

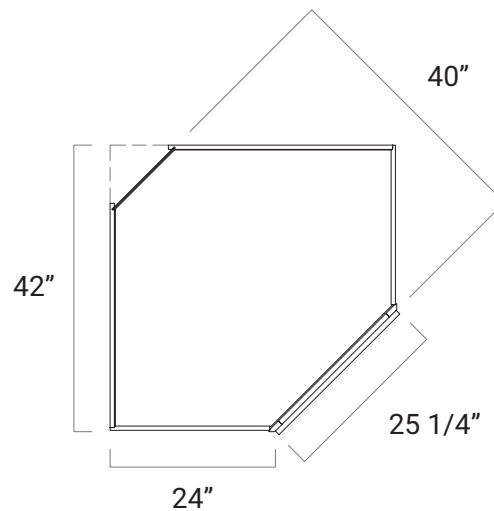


24"



When using a corner sink application, it is recommended that a dishwasher be set at least 15" apart from the sink cabinet to allow for standing room and functionality.

TOP VIEW

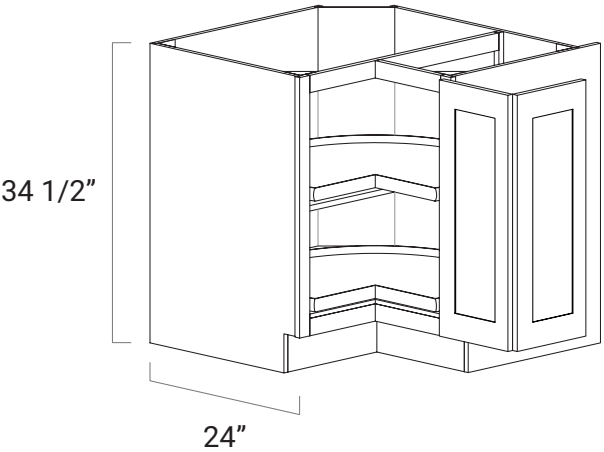


24"

Lazy Susan

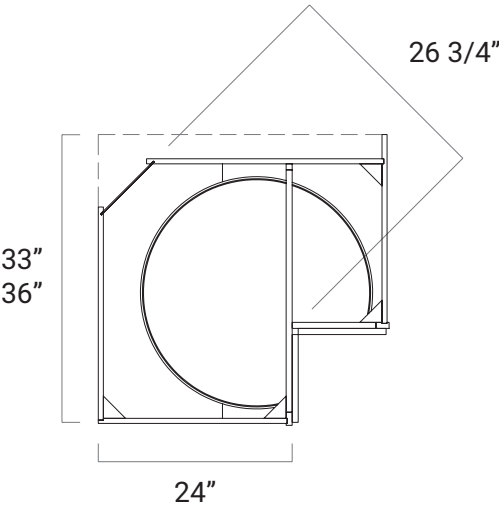
●	ASP
●	CAM
●	DRF
●	HAM
○	KEN
●	REN
○	VIS

Order Code: **LS33-L***
LS33-R*
LS36-L
LS36-R (shown)



- Full height, bi-folding door
- Two rotating, pie-cut trays
 - Trays are made of wood veneered plywood with a solid wood perimeter lip
- Undermount bearings allow for independent rotation and full access to trays
- Soft close not available
- Magnetic door catch attached
 - Designed to prevent warpage

TOP VIEW



(* Limited stock in CAM and VIS

When positioning against an appliance, such as a range or refrigerator, place the hinge on the opposite side of the appliance. This allows the door to open past 90 degrees for maximum cabinet access.



NOTES

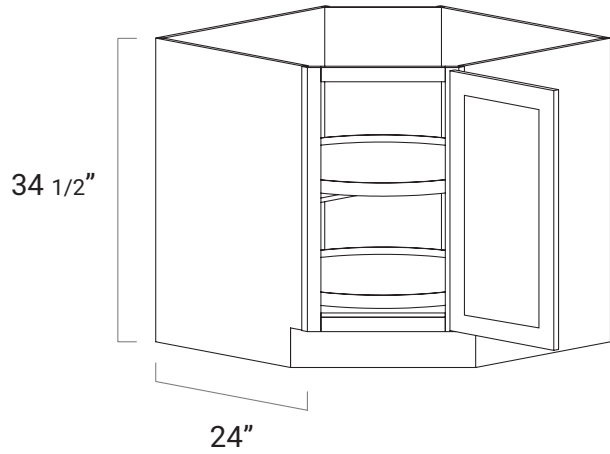
BASE CABINETS

Lazy Susan Diagonal Door

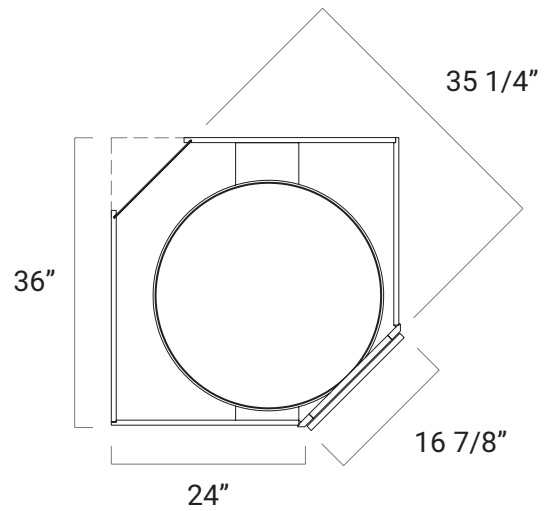
Order Code: **LS36DD**

- Full height door
- Two rotating, full circle trays
 - Trays are made of wood veneered plywood with a solid wood perimeter lip
- Undermount bearing allows for independent rotation and full access to trays
- Soft close functionality requires **SCFMP** (pg. 61)

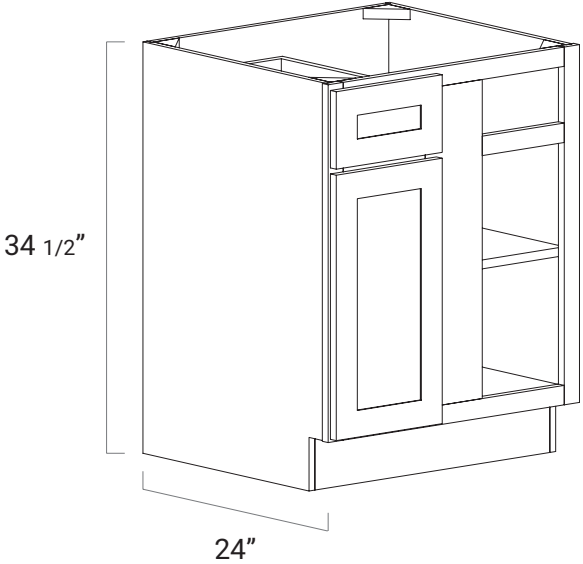
●	ASP
●	CAM
●	DRF
●	HAM
○	KEN
●	REN
○	VIS



TOP VIEW



NOTES



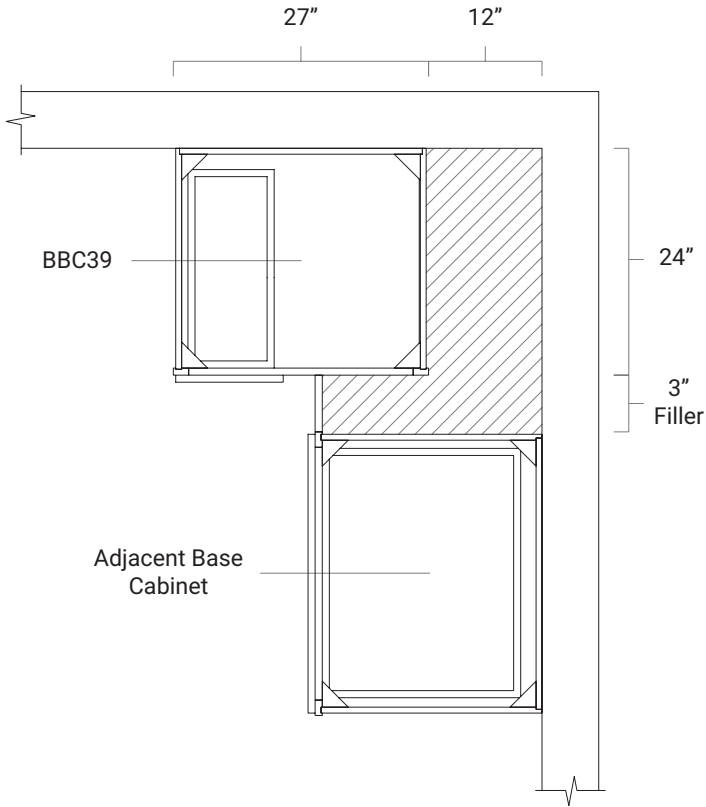
Base Blind Corner

Order Code: **BBC39**

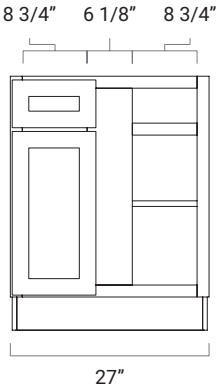
- One adjustable shelf
- Door and drawer can be flipped for left or right application
- 3" filler included
- Hinges are located on the center stile of the face frame and can be flipped as necessary
- Same size door, drawer, and door opening as **B12** (pg. 20)

●	ASP
●	CAM
●	DRF
●	HAM
○	KEN
●	REN
○	VIS

INSTALLATION DIAGRAM (BBC39 SHOWN)



FACE FRAME OPENING DIMENSIONS



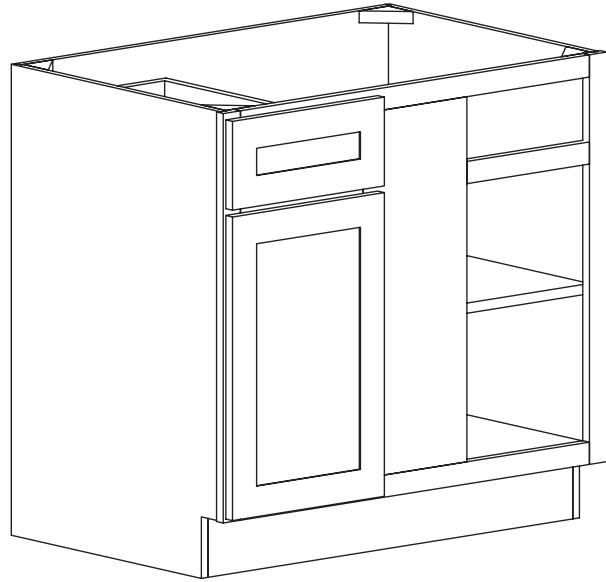
BASE CABINETS

Base Blind Corner

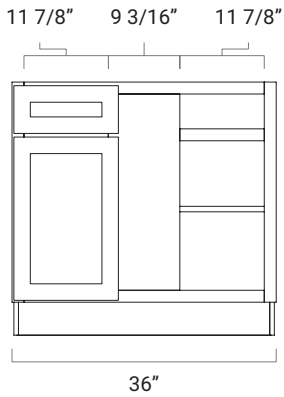
Order Code: **BBC43-46**

- One adjustable shelf
- Cabinet is 36" wide and must be pulled a minimum of 7" or a maximum of 10" from adjacent wall
- Door and drawer can be flipped for left or right application
- 3" filler included
- Hinges are located on the center stile of the face frame and can be flipped as necessary
- Same size door, drawer, and opening as **B15** (pg. 20)

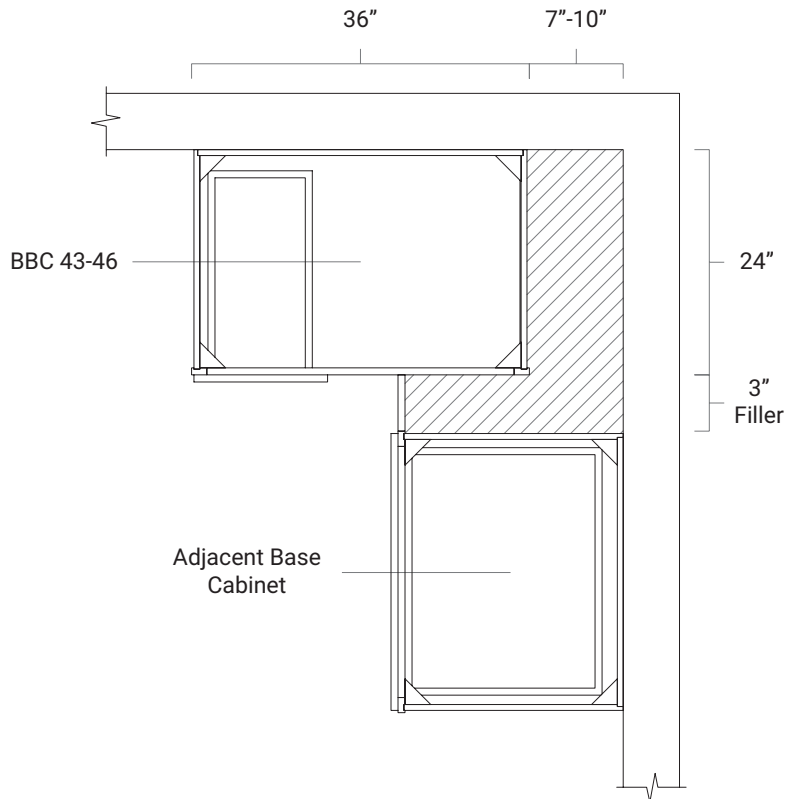
●	ASP
●	CAM
●	DRF
●	HAM
○	KEN
●	REN
○	VIS



FACE FRAME
OPENING DIMENSIONS



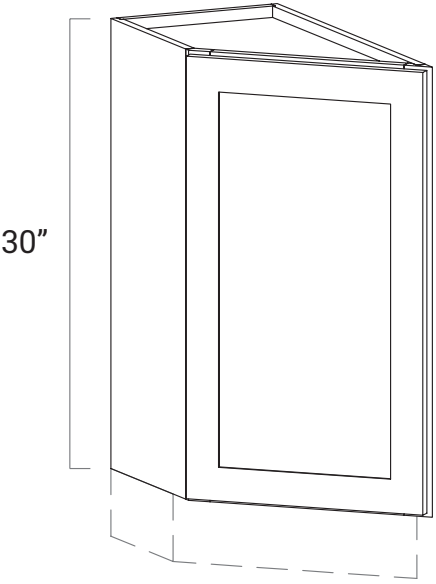
INSTALLATION DIAGRAM



BASE CABINETS



*Can be pulled a minimum of 43" to a maximum of 46"
Minimum and maximum pull includes cabinet width*



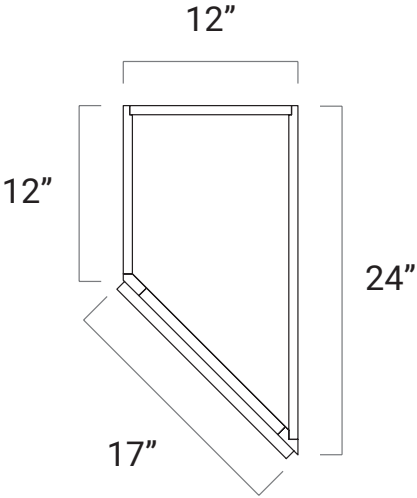
Angled Full Height Base

Order Code: **AFHB12**

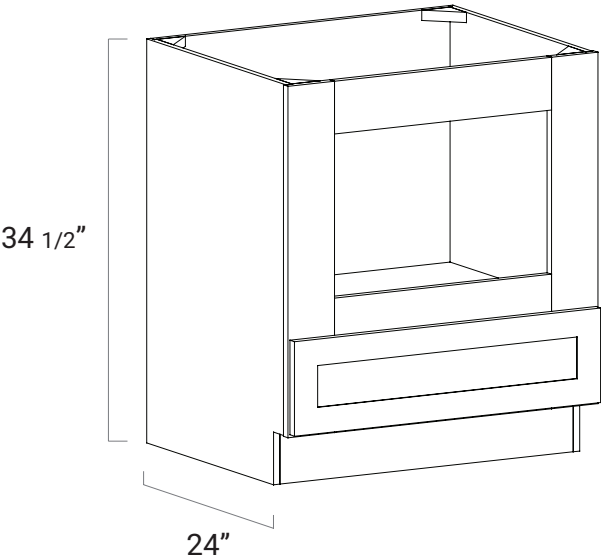
- One adjustable shelf
- Full height door
- Hinged on short side

●	ASP
●	CAM
●	DRF
●	HAM
○	KEN
●	REN
○	VIS

TOP VIEW



*Toe kick is not included. The cabinet can be used left or right handed by inverting the cabinet. Installer must build toe kick support and conceal with **TK8** (pg. 47).*



Base Microwave

Order Code: **MWB30**

- 30" wide
- 1 drawer
- Finished interior
- 14" high opening that can be cut to accommodate a 18" high opening*
- 21" wide opening that can be cut to accommodate a 27" wide opening*

●	ASP
	CAM
●	DRF
●	HAM
	KEN
	REN
	VIS

NEW

(*) 4 1/2" trimmable pocket frame stiles

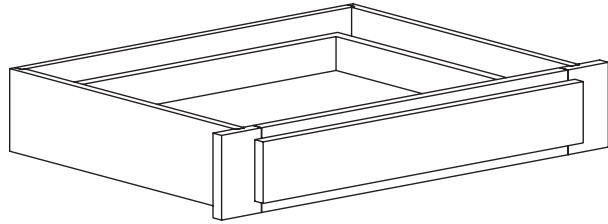
BASE CABINETS

Knee Drawer

Order Code: **KD30**

- Extended stiles of face frame allow for drawer to be cut down to 27" wide
- Side-mount, epoxy glides only
- Beveled outside edge

●	ASP
□	CAM
□	DRF
●	HAM
○	KEN
●	REN
○	VIS

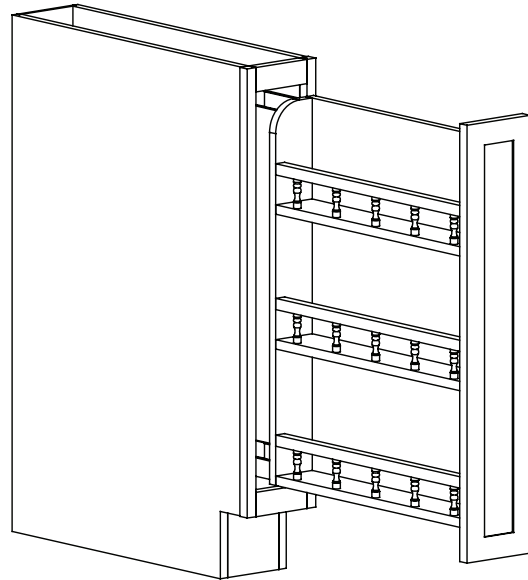


Base Pantry Pull Out

Order Code: **BPP6-L**
BPP6-R (shown)

- Pre-assembled
- 5-piece front
- Full extension glides without soft close
- Frameless box construction (no face frame)
- Hardwood interior
- 2 3/8" shelf width
- 20 5/8" shelf depth
- Requires decorative hardware to pull open
- Can hold a variety of spice container sizes

●	ASP
●	CAM
●	DRF
●	HAM
○	KEN
●	REN
○	VIS

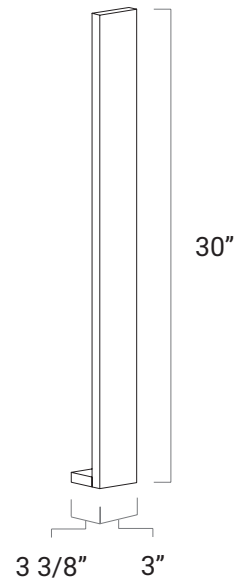


Base Filler

Order Code: **BF3**

- 3/4" thick, solid wood
- Finished front, back, and sides
- Cut width/height to fit as necessary

●	ASP
●	CAM
●	DRF
●	HAM
○	KEN
●	REN
○	VIS



CABINET NOMENCLATURE

The letter or letters represent the type of cabinet, the first set of numbers represent the width of the cabinet, and the second set of numbers represents the height of the cabinet.

UP 18 84

Utility Pantry Cabinet Width Cabinet Height

ORDER CODING

All tall cabinet order coding begins with door order code.

Example: **ASP UP1884**

SPECIAL NOTE

- Tall cabinets are 24" deep

AVAILABILITY KEY

●	Indicates availability
○	Indicates limited availability
	Indicates no availability

TALL CABINETS

Utility Pantry Single Door

Order Code: **UP1884**
UP1890
UP1896*

●	ASP
●	CAM
●	DRF
●	HAM
○	KEN
●	REN
○	VIS

- Lower door has center rail, creating a two-door panel door design
- Accepts 18" rollout trays (**ACC ROT18** pg. 54) (ordered separately)
- Magnetic door catch attached
 - Designed to prevent warpage

(* *Magnetic door catch attached to both top and bottom portions*)



SKU	UPPER HEIGHTS	# OF SHELVES IN UPPER	# OF SHELVES IN LOWER
UP1884	30"	ONE	TWO
UP1890	36"	ONE	TWO
UP1896	42"	TWO	TWO



*Hinge spacers may be necessary to fully adjust larger doors.
Order **ACC SPACER** (pg. 61) for maximum adjustment potential.*

NOTES



Utility Pantry Double Door

Order Code: **UP2484**
UP2490
UP2496*
UP3084
UP3090
UP3096*

●	ASP
●	CAM
●	DRF
●	HAM
○	KEN
●	REN
○	VIS

- Lower door has center rail, creating a two-door panel door design
- 24" wide pantries accept 24" rollout trays (**ACC ROT24** pg. 54)
- 30" wide pantries accept 30" rollout trays (**ACC ROT30** pg. 54)
- Magnetic door catch attached
 - Designed to prevent warpage

(*) *Magnetic door catch attached to both top and bottom portions*

SKU	UPPER HEIGHTS	# OF SHELVES IN UPPER	# OF SHELVES IN LOWER
UP2484	30"	ONE	TWO
UP2490	36"	ONE	TWO
UP2496	42"	TWO	TWO
UP3084	30"	ONE	TWO
UP3090	36"	ONE	TWO
UP3096	42"	TWO	TWO

*Hinge spacers may be necessary to fully adjust larger doors. Order **ACC SPACER** (pg. 61) for maximum adjustment potential.*



NOTES

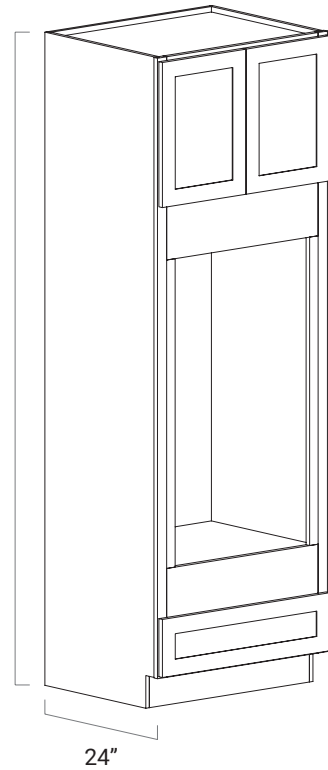
TALL CABINETS

Double Oven Cabinet

Order Code: **OVD3384**
OVD3390
OVD3396

- Depending on cabinet height, upper door height will vary
- One drawer in lower section
- No top shelf

●	ASP
●	CAM
●	DRF
●	HAM
○	KEN
●	REN
○	VIS



OPENING DIMENSIONS Interior Opening (Maximum)

SKU	WIDTH	HEIGHT	DEPTH
OVD3384	31 1/4"	54 1/4"	22 5/8"
OVD3390	31 1/4"	54 1/4"	22 5/8"
OVD3396	31 1/4"	54 1/4"	22 5/8"

OPENING DIMENSIONS Frame Opening (Minimum)

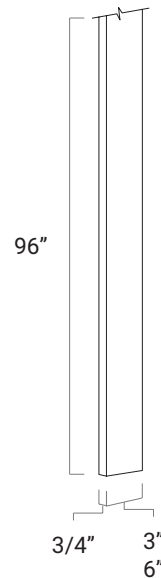
SKU	WIDTH	HEIGHT	DEPTH
OVD3384	26 7/8"	39 1/2"	23 3/8"
OVD3390	26 7/8"	39 1/2"	23 3/8"
OVD3396	26 7/8"	39 1/2"	23 3/8"

Tall Filler

Order Code: **TF396**
TF696

- 3/4" thick, solid wood
- Finished front and sides
- Cut width/height to fit as necessary

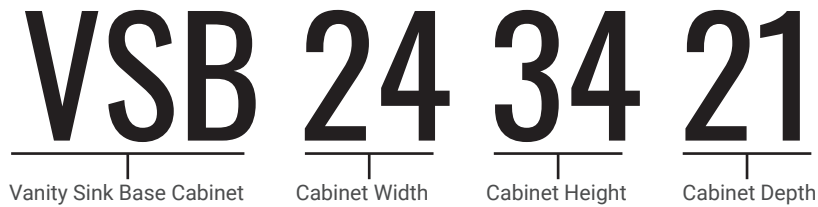
●	ASP
●	CAM
●	DRF
●	HAM
○	KEN
●	REN
○	VIS



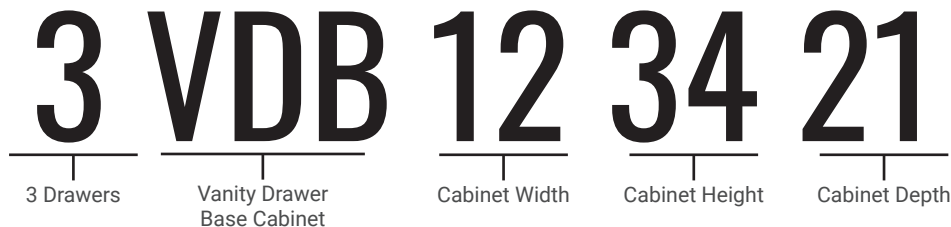
Can be used as starter molding to build crown to the ceiling.

CABINET NOMENCLATURE

The letter or letters represent the name of the cabinet, and the following set of numbers represents the width of the cabinet.



Whenever a bath cabinet has all drawers and no doors, also known as a drawer base, the cabinet coding will start with a number. This represents the number of drawers the cabinet has.



ORDER CODING

All bath cabinet order coding begins with the door order code.

Example: **ASP VSB243421-SC**

SPECIAL NOTES

- Bath cabinetry is 34 1/2" high and 21" deep

AVAILABILITY KEY

●	Indicates availability
○	Indicates limited availability
	Indicates no availability

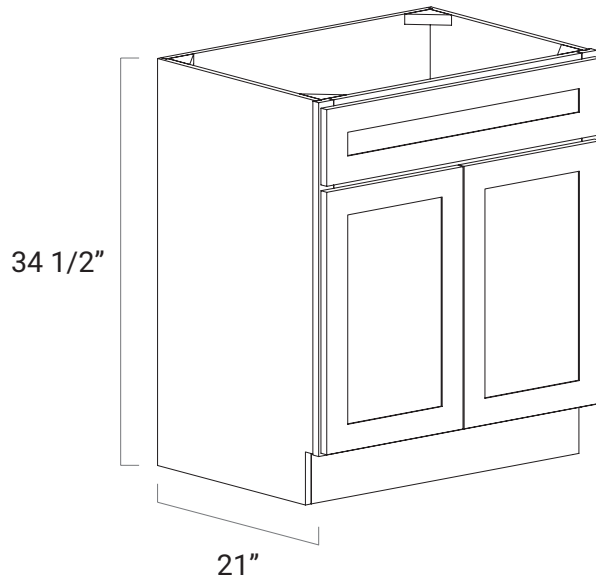
BATH CABINETS

Vanity Sink Base*

Order Code: **VSB243421-SC**
VSB303421-SC

- No shelf
- For single bowl installation only
- Two doors
- Top drawer is a false door front
- Finished toe kick included (cut to size)

●	ASP
●	CAM
●	DRF
●	HAM
○	KEN
●	REN
○	VIS



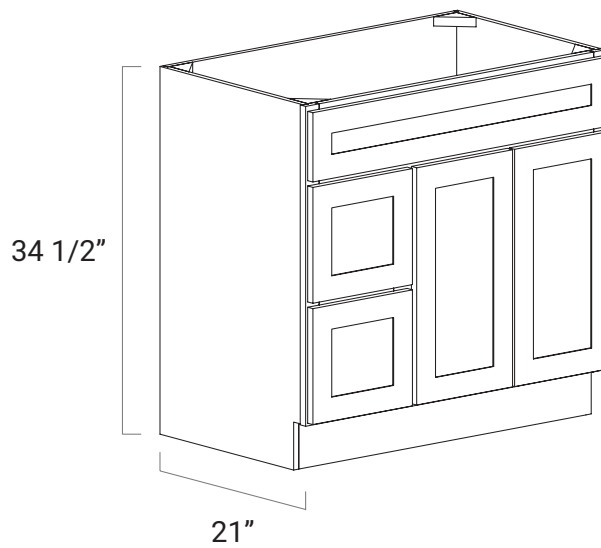
(* Temporary variance may occur in back panel construction.

Vanity Combo Two Drawer / Two Door

Order Code: **V363421L-SC**
 (shown)
V363421R-SC

- No shelf
- For single bowl installation only
- Drawers remain a constant 12" wide
- Top drawer is a false drawer front
- Finished toe kick included (cut to size)

●	ASP
●	CAM
●	DRF
●	HAM
○	KEN
●	REN
○	VIS

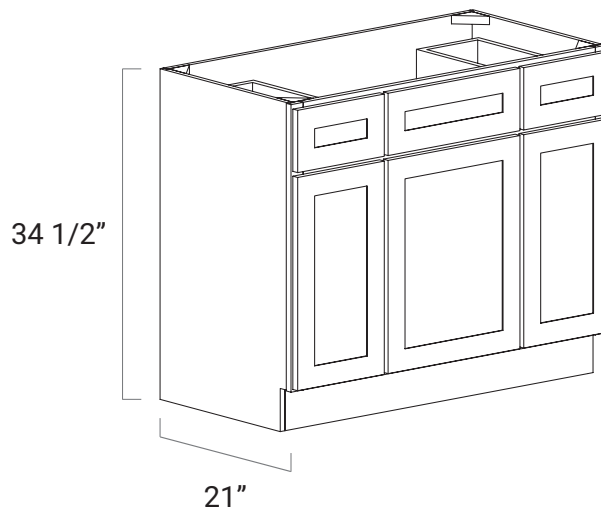


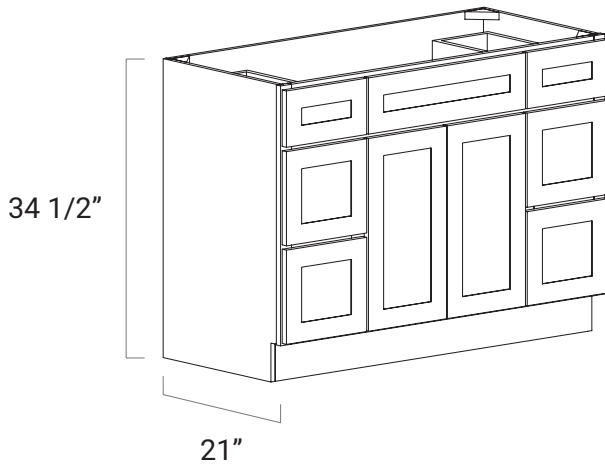
Vanity Combo Two Drawer / Three Door

Order Code: **V423421-SC**

- No shelf
- For single bowl installation only
- Drawers remain a constant 12" wide
- Top middle drawer is a false drawer front
- Finished toe kick included (cut to size)

●	ASP
●	CAM
●	DRF
●	HAM
○	KEN
●	REN
○	VIS



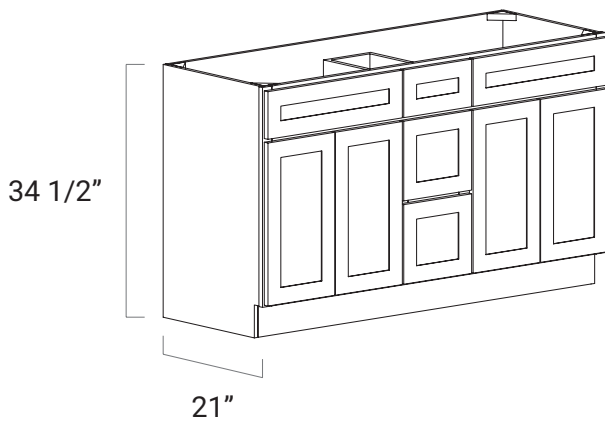


Vanity Combo Six Drawer / Two Door

<input checked="" type="radio"/>	ASP
<input checked="" type="radio"/>	CAM
<input checked="" type="radio"/>	DRF
<input checked="" type="radio"/>	HAM
<input type="radio"/>	KEN
<input checked="" type="radio"/>	REN
<input type="radio"/>	VIS

Order Code: **V483421-SC**
V603421S-SC

- No shelf
- For single bowl installation only
- Drawers remain a constant 12" wide
- Top middle drawer is a false drawer front
- Finished toe kick included (cut to size)

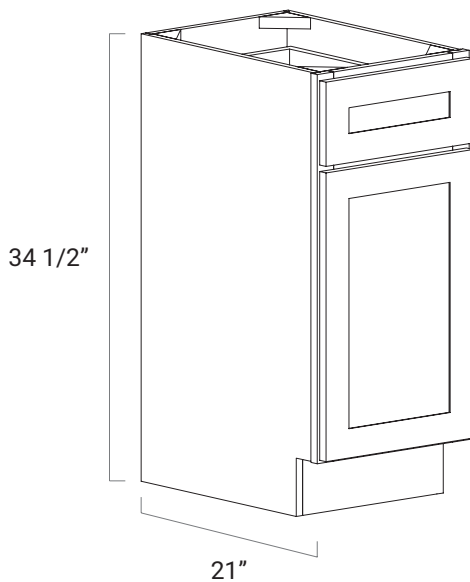


Vanity Combo Three Drawer / Four Door

<input checked="" type="radio"/>	ASP
<input checked="" type="radio"/>	CAM
<input checked="" type="radio"/>	DRF
<input checked="" type="radio"/>	HAM
<input type="radio"/>	KEN
<input checked="" type="radio"/>	REN
<input type="radio"/>	VIS

Order Code: **V603421D-SC**

- No shelf
- For double bowl installation only
- Drawers remain a constant 12" wide
- Two outside top drawers are false drawer fronts
- Finished toe kick included (cut to size)



Vanity Base One Drawer / One Door

<input type="radio"/>	ASP
<input type="radio"/>	CAM
<input type="radio"/>	DRF
<input type="radio"/>	HAM
<input type="radio"/>	KEN
<input type="radio"/>	REN
<input type="radio"/>	VIS

Order Code: **VB123421-SC**
VB153421-SC*
VB183421-SC

- Finished toe kick included (cut to size)

(* Not available in ASP or CAM)

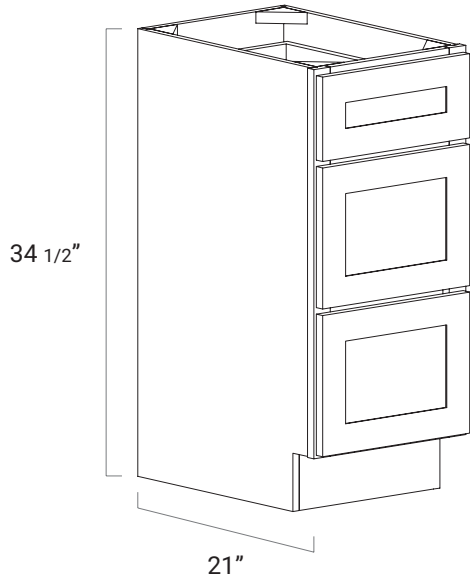
BATH CABINETS

Vanity Drawer Base Three Drawer

Order Code: **3VDB123421-SC**
3VDB153421-SC
3VDB183421-SC

●	ASP
●	CAM
●	DRF
●	HAM
○	KEN
●	REN
○	VIS

- Two deep drawers
- Top drawer aligns with standard base cabinetry
- Finished toe kick included (cut to size)

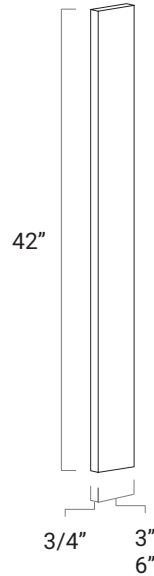


Vanity Filler

Order Code: **WF342**
WF642

●	ASP
●	CAM
●	DRF
●	HAM
○	KEN
●	REN
○	VIS

- 3/4" thick, solid wood
- Finished front and sides
- Cut width/height to fit as necessary



NOTES

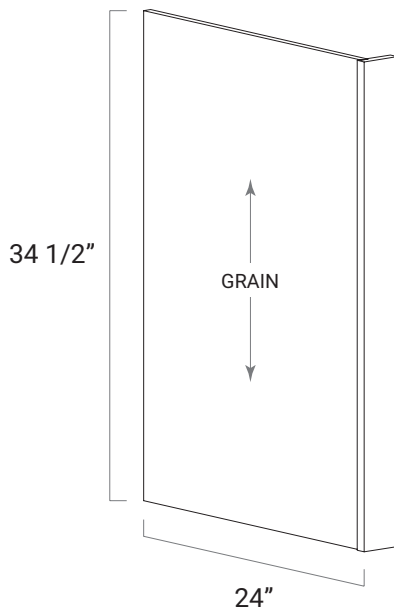
ORDER CODING

All panel and skin order coding begins with door order code.

Example: **ASP DWP**

SPECIAL NOTES

- Consider grain direction when designing
- Use **BM8**, **OC8** and **SCM8** to finish seams, end of runs, and corners where panels meet
 - BM8 = pg. 46
 - OC8 = pg. 45
 - SCM8 = pg. 46



Dishwasher Panel

Order Code: **DWP**

- Intended for use next to a dishwasher
- 3/4" thick, veneered plywood panel, finished on outside
- Panel bored for assembly along one unfinished side
- 3/4" thick, solid wood return filler, finished on front and sides

●	ASP
●	CAM
●	DRF
●	HAM
○	KEN
●	REN
○	VIS

TOP VIEW



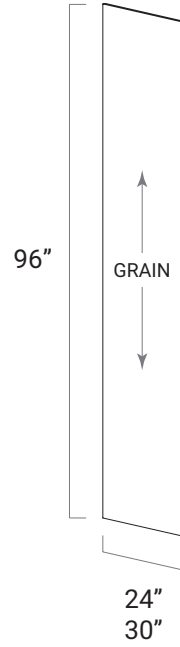
PANELS AND SKINS

Refrigerator Panel

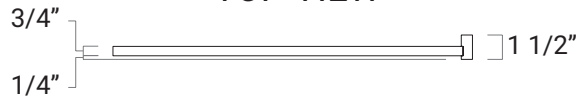
Order Code: **RP2496**
RP3096

●	ASP
●	CAM
●	DRF
●	HAM
○	KEN
●	REN
○	VIS

- Intended for use next to or flanking a refrigerator to conceal sides and support wall cabinetry above the appliance
- 3/4" thick, veneered plywood panel, finished on both sides
- Panel bored for assembly along one side
- 3/4" thick, solid wood return filler, finished on front and sides



TOP VIEW

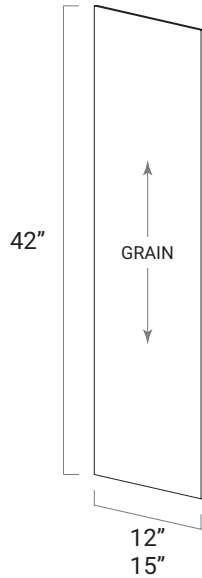


Refrigerator panels can be cut to fit in the field and used as a shelving solution for many design situations.

NOTES

(*) For stained finish, construction is either veneered plywood or MDF core. For painted finish, construction is MDF core.

PANELS AND SKINS



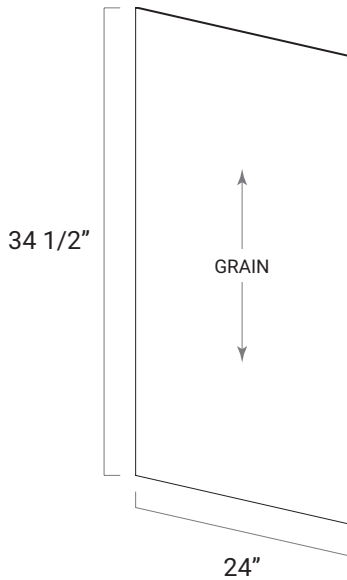
Wall Skin*

Order Code: **WSK1242**
WSK1542

- 1/4" thick
- One finished side
- Intended for skinning sides of wall cabinetry
- Cut width and height to fit
- Used to make sure side of cabinet is flush with frame

●	ASP
●	CAM
●	DRF
●	HAM
○	KEN
●	REN
○	VIS

Use **WSK1242** to flush sides before applying a decorative wall false door.



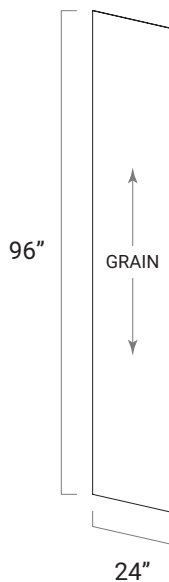
Base Skin*

Order Code: **BSK**

- 1/4" thick
- One finished side
- Intended for skinning sides of base cabinetry
- Cut width and height to fit
- Notch for toe kick in field as necessary
- Used to make sure side of cabinet is flush with frame

●	ASP
●	CAM
●	DRF
●	HAM
○	KEN
●	REN
○	VIS

Use **BSK** to flush sides before applying a decorative base false door.



Tall Skin*

Order Code: **TSK2496**

- 1/4" thick
- One finished side
- Intended for skinning sides of tall cabinetry
- Cut width and height to fit
- Notch for toe kick in field as necessary
- Used to make sure side of cabinet is flush with frame

●	ASP
●	CAM
●	DRF
●	HAM
○	KEN
●	REN
○	VIS

PANELS AND SKINS

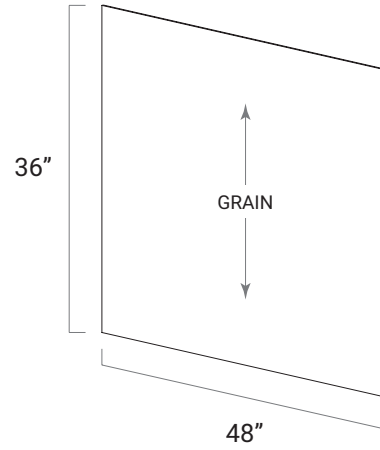
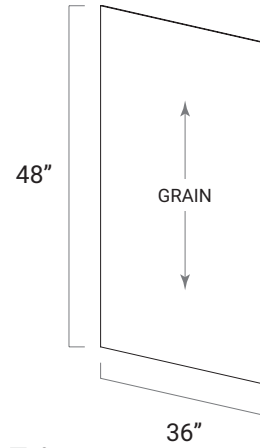
(* For stained finish, construction is either veneered plywood or MDF core. For painted finish, construction is MDF core.

Back Skin*

Order Code: **BS3648** (shown top)
BS4836
 (shown bottom)

●	ASP
●	CAM
●	DRF
●	HAM
○	KEN
●	REN
○	VIS

- 1/4" thick
- One finished side
- Intended for skinning exposed backs of peninsulas, islands, and other design applications

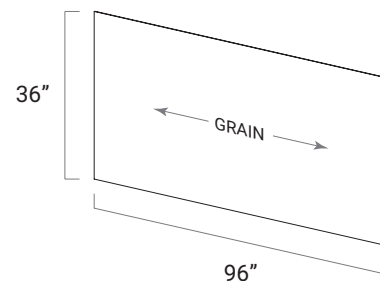
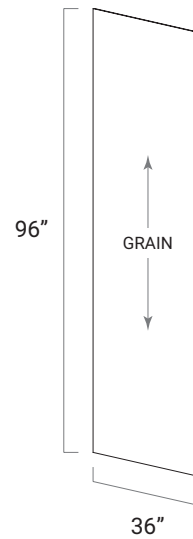


Back Skin*

Order Code: **BS9636**

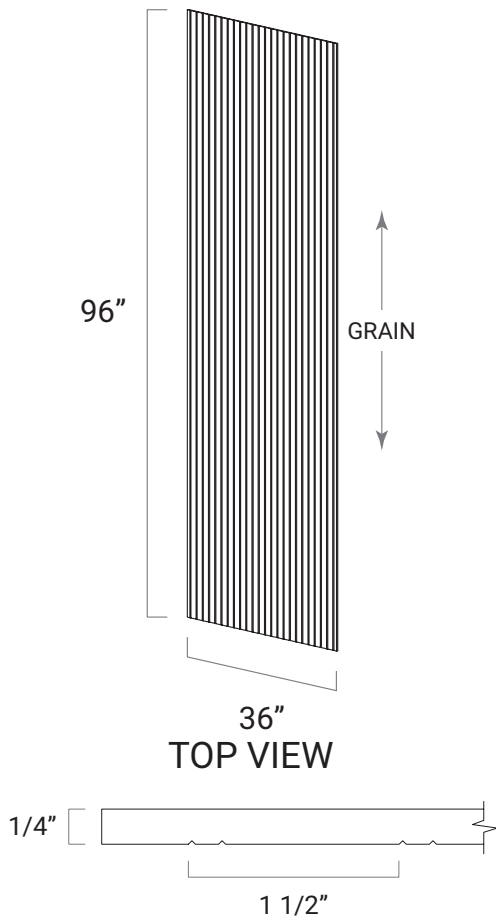
●	ASP
●	CAM
●	DRF
●	HAM
○	KEN
●	REN
○	VIS

- 1/4" thick
- One finished side
- Intended for skinning exposed backs of peninsulas, islands, and other design applications
- Grain runs parallel with 96" sides



(*) For stained finish, construction is either veneered plywood or MDF core. For painted finish, construction is MDF core.

PANELS AND SKINS



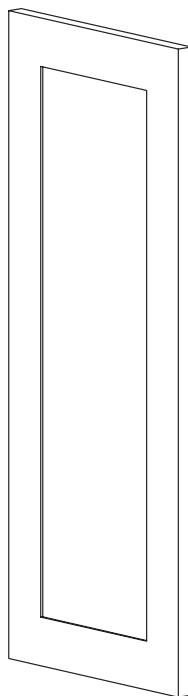
Tall Skin Beadboard*

Order Code: **TSKBB3696**

- 1/4" thick
- One finished side
- Intended for skinning exposed backs of peninsulas, islands, or exposed sides of cabinetry
- A bead pattern is created by two routed grooves in the finished side of the skin
- Panels require trimming in the field

●	ASP
●	CAM
●	DRF
●	HAM
○	KEN
●	REN
○	VIS

When butting two panels side-by-side, disguise the cut in a routed groove or apply **BM8** (pg. 46) for seam coverage.



Wall False Door**

Order Code: **WFD1230**
WFD1236
WFD1242

- False door matches ordered door style
- 3/4" thick, decorative door panel for finishing sides of exposed cabinetry
- Back of the panel is flat and requires a **WSK** (pg. 39) to sit flush on cabinet side

●	ASP
●	CAM
●	DRF
●	HAM
○	KEN
●	REN
○	VIS

ACTUAL DOOR SIZES

SKU	WIDTH	HEIGHT	DEPTH
WFD1230	11 1/2"	29 1/2"	3/4"
WFD1236	11 1/2"	35 1/2"	3/4"
WFD1242	11 1/2"	41 1/2"	3/4"

(**) There is a plus or minus 1/4" tolerance on **WFD**

Use to finish the backs of islands for a complete design.



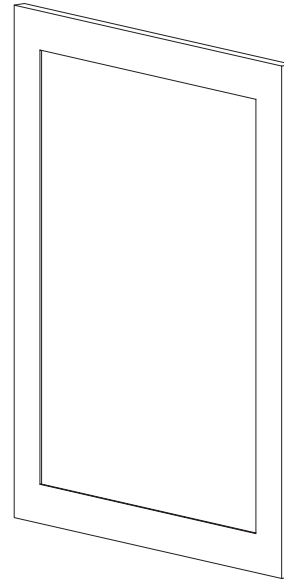
PANELS AND SKINS

Base False Door*

Order Code: **BFD**

- False door matches ordered door style
- 3/4" thick, decorative door panel for finishing sides of exposed cabinetry
- Back of the panel is flat and requires a **BSK** (pg. 39) to sit flush on cabinet side

<input checked="" type="radio"/>	ASP
<input checked="" type="radio"/>	CAM
<input checked="" type="radio"/>	DRF
<input checked="" type="radio"/>	HAM
<input type="radio"/>	KEN
<input checked="" type="radio"/>	REN
<input type="radio"/>	VIS



ACTUAL DOOR SIZES

SKU	WIDTH	HEIGHT	DEPTH
BFD	23 1/2"	29 1/2"	3/4"

(* There is a plus or minus 1/4" tolerance on **BFD**
 Use to finish the backs of islands for a complete design.






NOTES

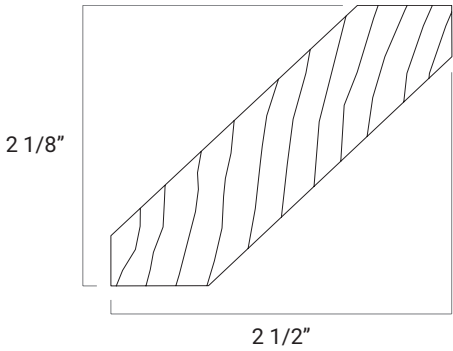
ORDER CODING

All molding and trim order coding begins with door order code.

Example: **ASP ACM8**

MOLDING CONSTRUCTION KEY

-  Indicates solid wood
-  Indicates veneered MDF
-  Indicates veneered plywood

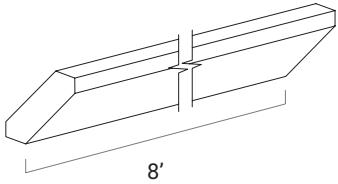


Angled Crown Molding

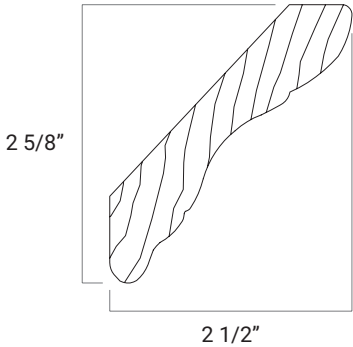
Order Code: **ACM8**

- Solid wood
- Molding comes in a single 8' piece

<input checked="" type="radio"/>	ASP
<input type="radio"/>	CAM
<input checked="" type="radio"/>	DRF
<input checked="" type="radio"/>	HAM
<input type="radio"/>	KEN
<input type="radio"/>	REN
<input type="radio"/>	VIS



Can be installed flat for 3/4" smaller molding or flat as 3/4" light rail

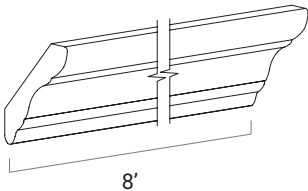


Crown Molding

Order Code: **CM8**

- Solid wood
- Molding comes in a single 8' piece

<input checked="" type="radio"/>	ASP
<input type="radio"/>	CAM
<input checked="" type="radio"/>	DRF
<input checked="" type="radio"/>	HAM
<input type="radio"/>	KEN
<input type="radio"/>	REN
<input type="radio"/>	VIS



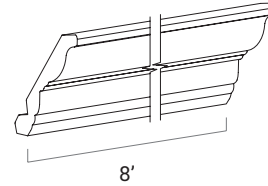
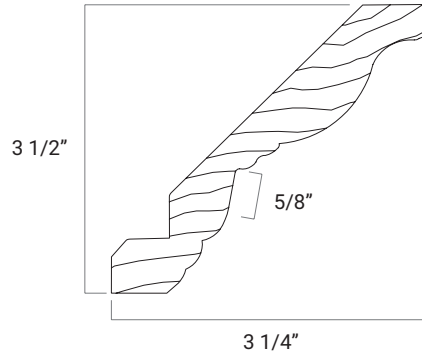
MOLDING AND TRIM

Classic Crown Molding

Order Code: **CCM8**

- Solid wood
- Molding comes in a single 8' piece
- 5/8" section accepts applied decorative inserts

	ASP
●	CAM
	DRF
	HAM
○	KEN
●	REN
	VIS

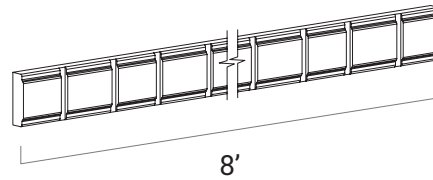
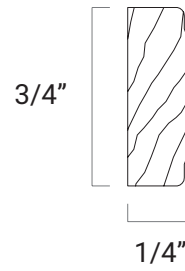


Dentil Molding

Order Code: **DM8**

- Solid wood
- Molding comes in a single 8' piece

	ASP
●	CAM
	DRF
	HAM
○	KEN
●	REN
	VIS



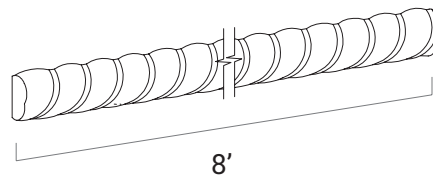
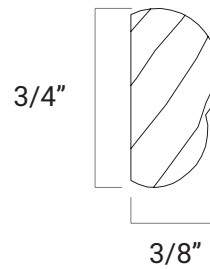
Can be applied to **CCM8**.

Rope Molding

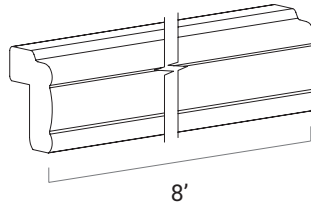
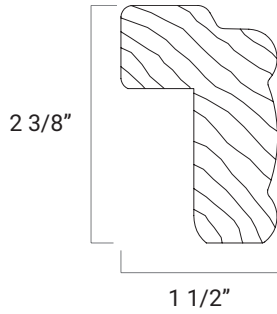
Order Code: **RM8**

- Solid wood
- Molding comes in a single 8' piece

	ASP
●	CAM
	DRF
	HAM
○	KEN
●	REN
	VIS



Can be applied to **CCM8**.



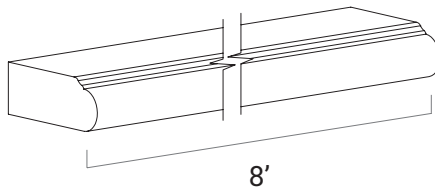
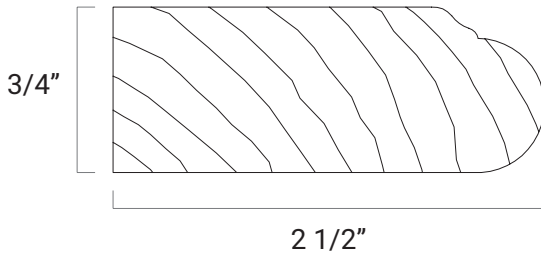
Traditional Light Rail

Order Code: **TLR8**

- Solid wood
- Molding comes in a single 8' piece
- Light rail is intended to be applied to the bottom of a wall cabinet

●	ASP
●	CAM
●	DRF
●	HAM
○	KEN
●	REN
○	VIS

TLR8 can be inverted and used as a unique top molding as well.



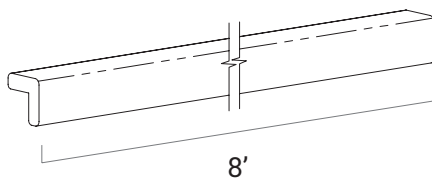
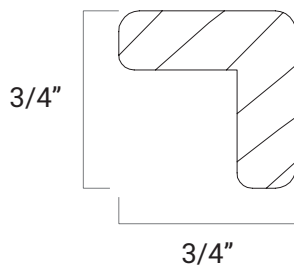
Bull Nose Light Rail

Order Code: **BLR8**

- Solid wood
- Molding comes in a single 8' piece
- Light rail is intended to be applied to the bottom of a wall cabinet

●	ASP
●	CAM
●	DRF
●	HAM
○	KEN
●	REN
○	VIS

BLR8 can also be inverted and used as a unique top molding or incorporated into a molding stack.



Outside Corner Molding

Order Code: **OC8**

- Solid wood
- Molding comes in a single 8' piece

●	ASP
●	CAM
●	DRF
●	HAM
○	KEN
●	REN
○	VIS

Intended to finish outside corners concealing the seams where two skins or panels meet.



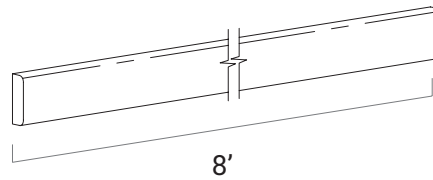
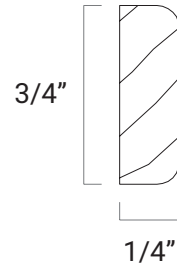
MOLDING AND TRIM

Batten Molding

Order Code: **BM8**

- Solid wood
- Molding comes in a single 8' piece

●	ASP
●	CAM
●	DRF
●	HAM
○	KEN
●	REN
○	VIS



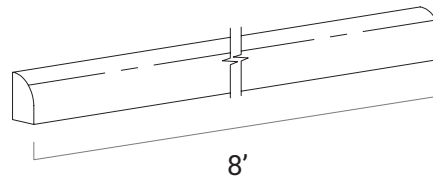
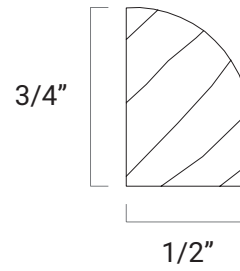
Intended to finish seams where two skins or panels meet.

Shoe Molding

Order Code: **SHM8**

- Solid wood
- Molding comes in a single 8' piece

●	ASP
●	CAM
●	DRF
●	HAM
○	KEN
●	REN
○	VIS



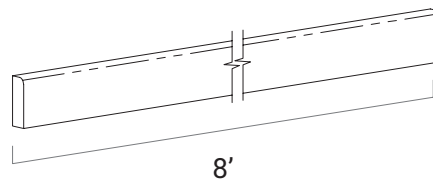
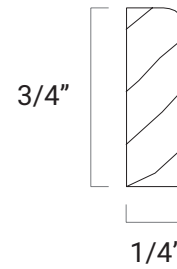
Intended to finish the base of cabinetry, backs of islands, or peninsulas where skin or toe kick meets flooring.

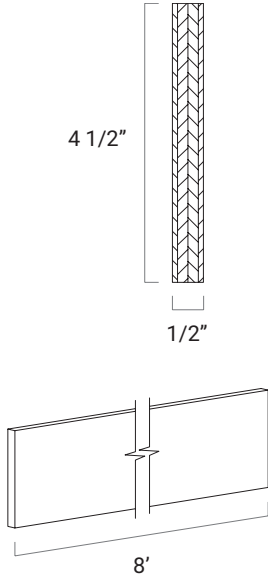
Scribe Molding

Order Code: **SCM8**

- Solid wood
- Molding comes in a single 8' piece

●	ASP
●	CAM
●	DRF
●	HAM
○	KEN
●	REN
○	VIS



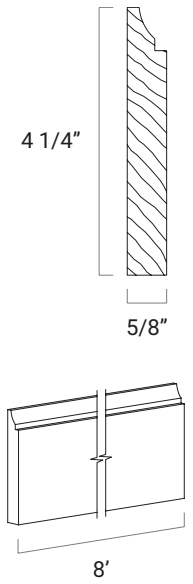


Toe Kick

Order Code: **TK8**

- 1/2" thick, veneered plywood
- Molding comes in a single 8' piece

●	ASP
●	CAM
●	DRF
●	HAM
○	KEN
●	REN
○	VIS



Universal Scoop Trim

Order Code: **UST8**

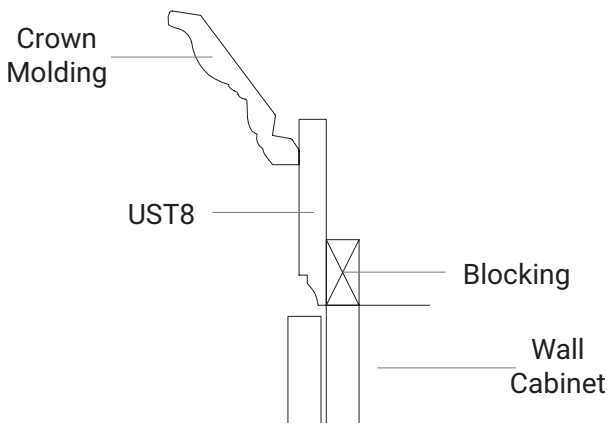
- Solid wood
- Designed for use as a decorative baseboard, or a starter molding for stacking crown to the ceiling

●	ASP
●	CAM
●	DRF
●	HAM
○	KEN
●	REN
○	VIS

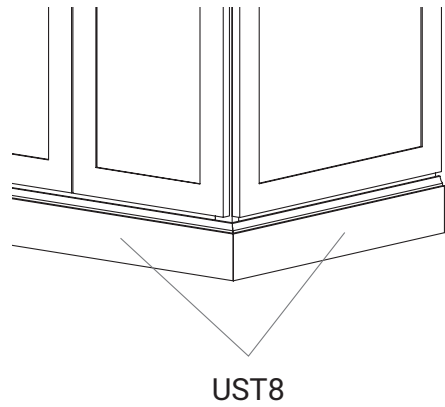
*If used as baseboard, **UST8** will need to be shimmed up 1/4" and run with **SHM8** (pg. 46).*



CROWN INSTALL DIAGRAM



BASE INSTALL DIAGRAM



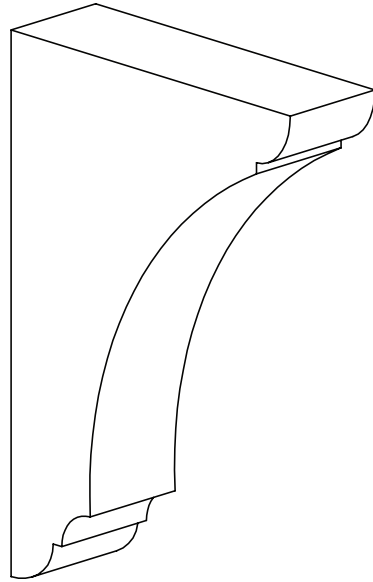
MOLDING AND TRIM

Classic Corbel

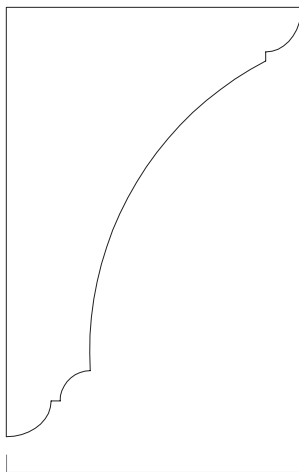
Order Code: **COR-PLAIN**

- Solid wood
- Installation bracket included

●	ASP
●	CAM
●	DRF
●	HAM
○	KEN
●	REN
○	VIS

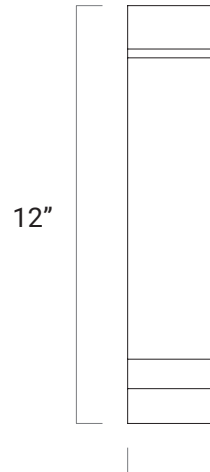


SIDE VIEW



8 1/4"

FRONT VIEW



12"

2 1/2"

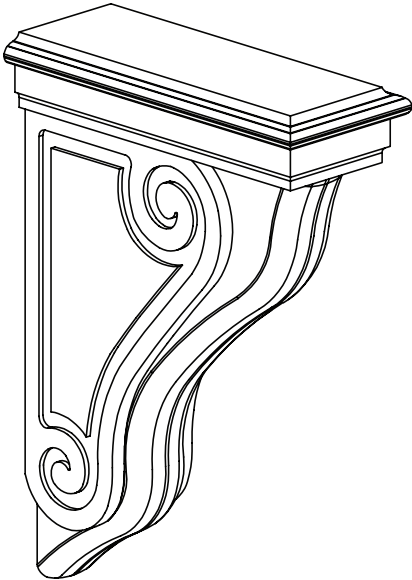
NOTES

Scroll Corbel

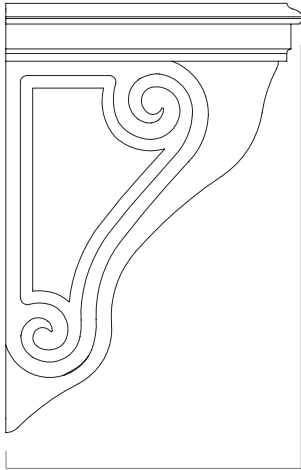
Order Code: **COR-SCROLL**

- Solid wood
- Installation bracket included

●	ASP
●	CAM
●	DRF
●	HAM
○	KEN
●	REN
○	VIS

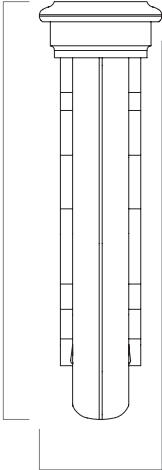


SIDE VIEW



9"

FRONT VIEW



13"

3 7/8"

NOTES

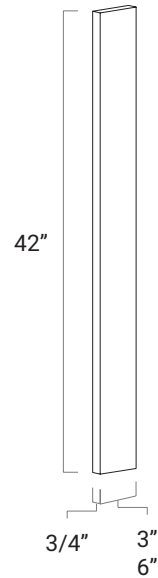
MOLDING AND TRIM

Straight Valance

Order Code: **WF342**
TF396

- Solid wood
- Also used as wall and tall filler
- Finished on all sides

●	ASP
●	CAM
●	DRF
●	HAM
○	KEN
●	REN
○	VIS

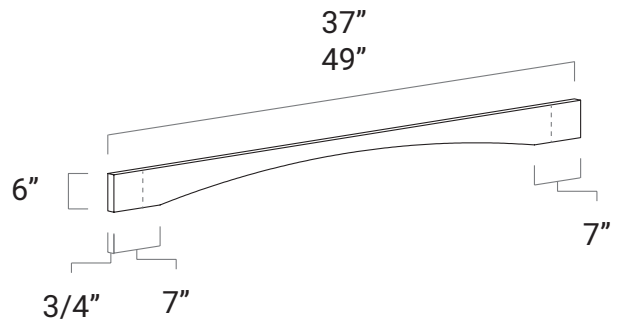


Arched Valance

Order Code: **VAA37**
VAA49

- Solid wood
- Can be cut down on either side

●	ASP
●	CAM
	DRF
●	HAM
○	KEN
●	REN
○	VIS

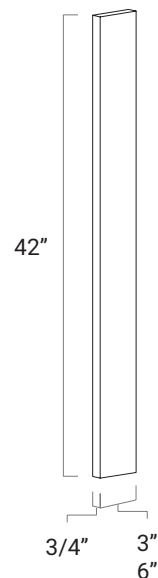


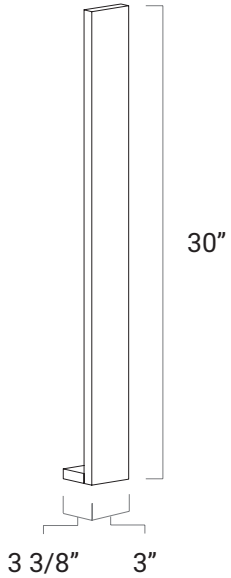
Wall Filler

Order Code: **WF342**
WF642

- 3/4" thick solid wood
- Finished front and sides
- Cut width/height to fit as necessary
- Must be used with full overlay door styles to prevent doors and hardware from binding on adjacent walls, deeper adjacent cabinetry, or corner applications

●	ASP
●	CAM
●	DRF
●	HAM
○	KEN
●	REN
○	VIS





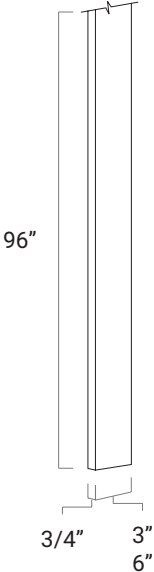
Base Filler

●	ASP
●	CAM
●	DRF
●	HAM
○	KEN
●	REN
○	VIS

Order Code: **BF3**

- 3/4" thick solid wood
- Finished front, back, and sides
- Cut width/height to fit as necessary
- Must be used with full overlay door to prevent doors and hardware from binding on adjacent walls, deeper adjacent cabinetry, or corner applications

Order **WF342** (pg. 50) for base filler applications not requiring the attached toe kick.



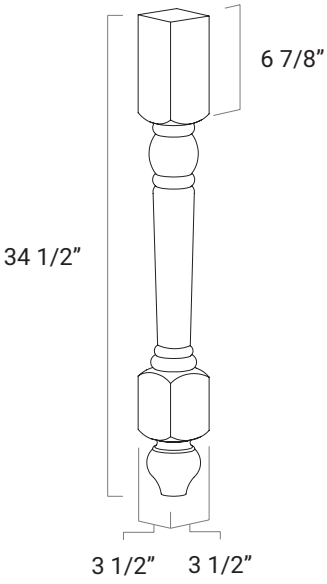
Tall Filler

●	ASP
●	CAM
●	DRF
●	HAM
○	KEN
●	REN
○	VIS

Order Code: **TF396**
TF696

- 3/4" thick solid wood
- Finished front and sides
- Cut width/height to fit as necessary
- Must be used with full overlay door to prevent doors and hardware from binding on adjacent walls, deeper adjacent cabinetry, or corner applications

Can be used as starter molding to build crown to the ceiling.



Decorative Leg

●	ASP
●	CAM
●	DRF
●	HAM
○	KEN
●	REN
	VIS

Order Code: **DL3.5**

- Solid wood
- Trimmable up to 6" from the top

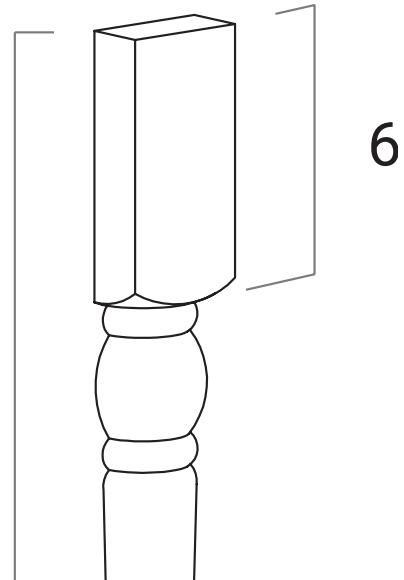
MOLDING AND TRIM

Decorative Leg-Split

Order Code: **DLS3.5**

- Solid wood
- Trimmable up to 6" from the top
- Can be applied to a **TF696** (pg. 48) or **WF642** (pg. 47), cut to a minimum of 3 1/2" wide
- When installing on a 3 1/2" wide filler, be sure to adjust hinges on adjacent doors to eliminate possible binding on the decorative leg

●	ASP
●	CAM
●	DRF
●	HAM
○	KEN
●	REN
	VIS

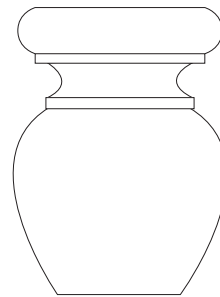


Bun Feet Round or Square

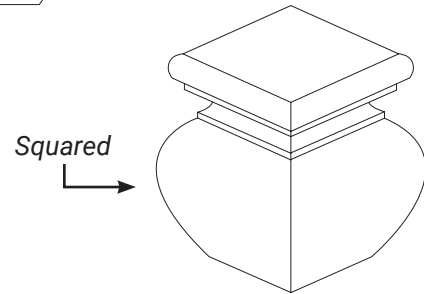
Order Code: **BFT-R**
BFT-S

- Solid wood

●	ASP
●	CAM
●	DRF
●	HAM
○	KEN
●	REN
○	VIS



Rounded



Squared

STYLE	HEIGHT	WIDTH
Rounded	4 1/2"	3 1/2"
Squared	4 1/2"	3 1/4"



Split on-site to fit under vanity toe kick.

NOTES

ORDER CODING

All accessory order coding begins with ACC
Example: **ACC ROT21**

SPECIAL NOTE

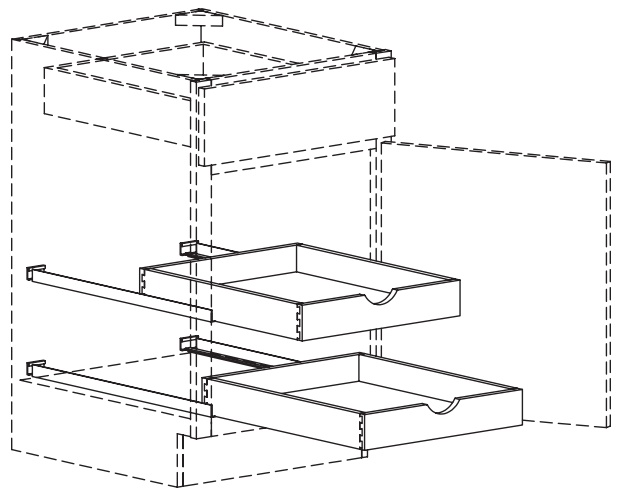
- Sold separately from cabinets

Roll Out Tray

Order Code: **ROT15**
ROT21
ROT27
ROT33

ROT18
ROT24
ROT30
ROT36

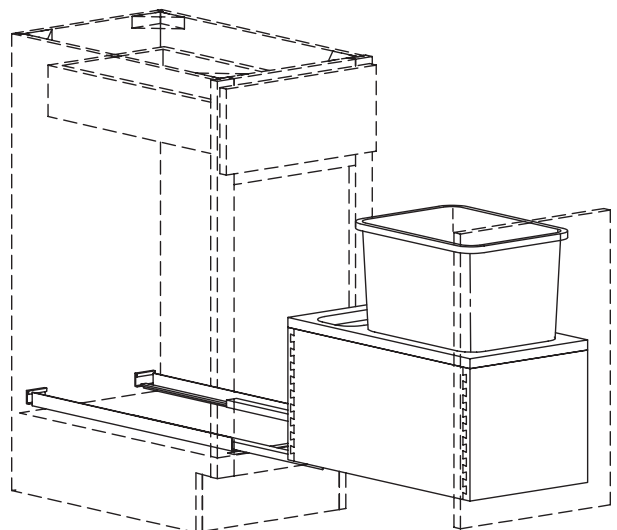
- Solid wood, dovetail construction
- 2 1/2" high sides
- Undermount, full extension glides with soft close
- For 24" deep cabinets

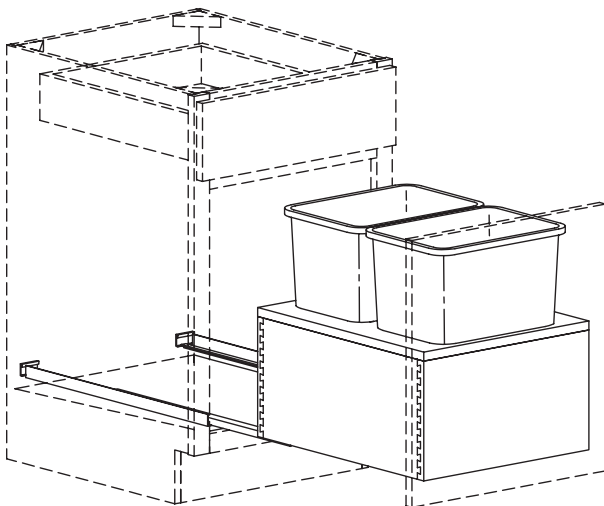


Trash Pull Out
Single Standard Base

Order Code: **TPOS15**

- Solid wood, dovetail base support
- Undermount, full extension glides with soft close
- Comes with one white 35 quart waste container
- Requires a **BFH15**, **BFH18**, or **BFH21** (pg. 20) in ASP, VIS, and DRF





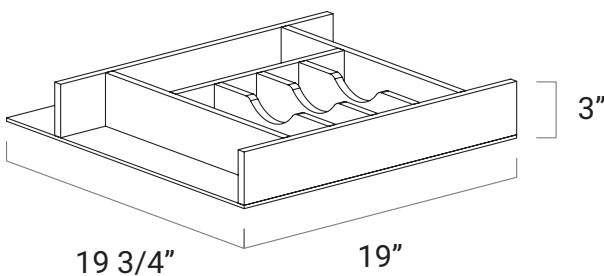
Trash Pull Out Double Standard Base

Order Code: **TPOD18**
TPOD21 (shown)

- Solid wood, dovetail base support
- Undermount, full extension glides with soft close
- Comes with two white 35 quart waste containers
- Requires a **BFH15**, **BFH18**, or **BFH21** (pg. 20) in ASP, DRF, and VIS

Wooden Cutlery Divider

Order Code: **WCD**



- Solid wood
- Natural hardwood finish
- Designed to fit in top drawer of 24" cabinet but can be cut down to fit in top drawer of 18" or 21" cabinet
- 1/2" thick, solid wood dividers used throughout

For organizing small items, incorporate into office and bathroom designs.



NOTES

HARDWARE • PULLS

ORDER CODING

All hardware order coding begins with ACC HARDWARE
 Example: **ACC HARDWARE 9008-BLB6-CC**

SPECIAL NOTE

• Sold separately from cabinets

Black Bar Pull 9008-BLB6-CC



LENGTH	WIDTH	PROJECTION	CTC	QTY.
6 1/8"	1/2"	1 3/8"	3 3/4"	25

Gunmetal Bar Pull* 9008-GMB6-CC



LENGTH	WIDTH	PROJECTION	CTC	QTY.
6 1/8"	1/2"	1 3/8"	3 3/4"	25

(* Limited stock)

Stainless Steel Bar Pull 9002-SSB-CC



LENGTH	WIDTH	PROJECTION	CTC	QTY.
6 1/8"	1/2"	1 3/8"	3 3/4"	25

Black Long Bow Pull 4137-2055-P



LENGTH	WIDTH	PROJECTION	CTC	QTY.
6	3/8"	1 1/4"	5"	25

Black Tapered Bow Pull 9425-4055-P



LENGTH	WIDTH	PROJECTION	CTC	QTY.
5 7/8"	1/4"	1"	5"	25

Brushed Polished Nickel Long Pull 9001-BPN-CC



LENGTH	WIDTH	PROJECTION	CTC	QTY.
6"	3/8"	1 1/8"	5"	25

Black Flat Bow Short Pull 9397-1055-P

LENGTH	WIDTH	PROJECTION	CTC	QTY.
4 1/8"	1/2"	1"	3 3/4"	25



Black Flat Bow Long Pull 9400-1055-P

LENGTH	WIDTH	PROJECTION	CTC	QTY.
5 5/8"	5/8"	1"	5"	25



Brushed Polished Nickel Plain Pull 9006-BPN-CC

LENGTH	WIDTH	PROJECTION	CTC	QTY.
5"	1/2"	7/8"	3 3/4"	25



Oil Rubbed Bronze Plain Pull 9004-ORB-CC

LENGTH	WIDTH	PROJECTION	CTC	QTY.
5"	1/2"	7/8"	3 3/4"	25



Brushed Polished Nickel Pull 9368-BPN-P

LENGTH	WIDTH	PROJECTION	CTC	QTY.
5 1/2"	5/8"	1"	3"	25



Verona Bronze Pull 9367-10VB-P

LENGTH	WIDTH	PROJECTION	CTC	QTY.
5 1/2"	5/8"	1"	3"	25



Weathered Nickel Pull 9369-10WN-P

LENGTH	WIDTH	PROJECTION	CTC	QTY.
5 1/2"	5/8"	1"	3"	25



HARDWARE • KNOBS

ORDER CODING

All hardware order coding begins with ACC HARDWARE
 Example: **ACC HARDWARE 9364-1055-P**

SPECIAL NOTE

• Sold separately from cabinets

Black Football Knob 9364-1055-P



LENGTH	WIDTH	PROJECTION	QTY.
1 3/8"	7/8"	1"	25

Brushed Polished Nickel Football Knob 0920-1BPN-P



LENGTH	WIDTH	PROJECTION	QTY.
1 3/8"	3/4"	1 1/4"	25

Verona Bronze Football Knob 9362-10VB-P



LENGTH	WIDTH	PROJECTION	QTY.
1 1/8"	3/4"	1 1/4"	25

Brushed Polished Nickel Plain Knob 0913-1BPN-P



DIAMETER	PROJECTION	QTY.
1 1/8"	1 1/8"	1 1/4"

Verona Bronze Plain Knob 9338-10VB-P



DIAMETER	PROJECTION	QTY.
1 1/8"	1 1/8"	25

Weathered Nickel Plain Knob 9339-10WN-P



DIAMETER	PROJECTION	QTY.
1 1/8"	1 1/8"	25

Brushed Polished Nickel 1-Step Knob **9375-1BPN-P**

DIAMETER	PROJECTION	QTY.
1 1/4"	1"	25



Verona Bronze 1-Step Knob **9374-10VB-P**

DIAMETER	PROJECTION	QTY.
1 1/4"	1"	25



Weathered Nickel 1-Step Knob **9376-10WN-P**

DIAMETER	PROJECTION	QTY.
1 1/4"	1"	25



Brushed Polished Nickel 3-Step Knob **9005-BPN-CC**

DIAMETER	PROJECTION	QTY.
1 3/8"	1"	25



Oil Rubbed Bronze 3-Step Knob **9003-ORB-CC**

DIAMETER	PROJECTION	QTY.
1 3/8"	1"	25



Weathered Nickel 3-Step Knob **9366-10WN-P**

DIAMETER	PROJECTION	QTY.
1 3/8"	1"	25



HARDWARE

ORDER CODING

All hardware order coding begins with ACC
Example: **ACC HARDWARE 6ADJH-E**

SPECIAL NOTE

- Sold separately from cabinets

6-Way Adjustable Hinge

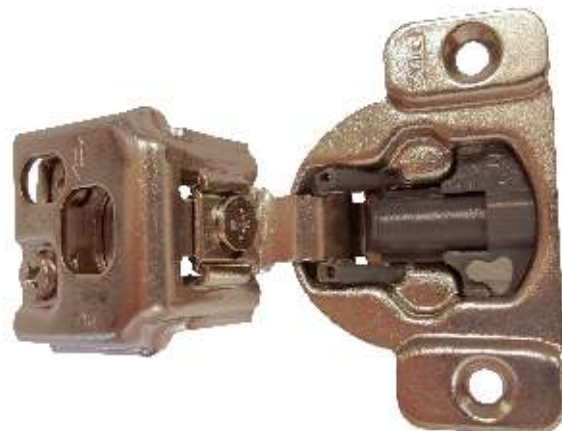
Order Code: **6ADJH-E**



6-Way Adjustable, Soft Close Hinge

Order Code: **6ADJSCH-B**

- Built-in, soft close feature



Soft Close, Frame-Mount Piston

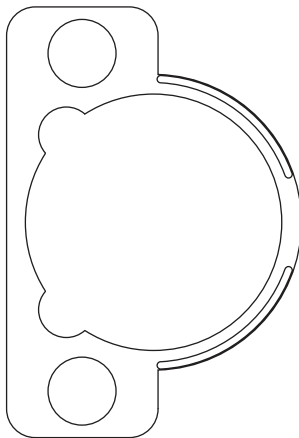
Order Code: **SCP KIT**



- Frame-mount, soft close piston with spacer
- For installation on hinge side of face frame
- Includes frame spacer
- Installation screw **NOT** included

Hinge Spacer

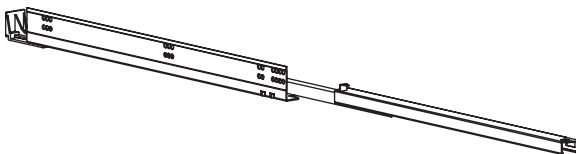
Order Code: **SPACER**



- For adjusting cup holes on larger doors

Soft Close, Undermount Glide Pair

Order Code: **UMSC15**
UMSC21
UMSC24



- Full extension
- Undermount
- Soft close
- Numbers indicate cabinet depth not glide depth
- Order code must be preceded by **ACC GLIDE**
Example: **ACC GLIDE UMSC15**

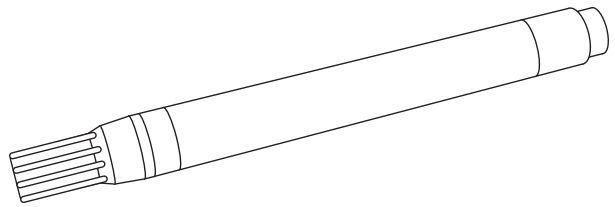
ORDER CODING

All touch-up order coding begins with ACC and door order code
Example: **ACC ASP MARKER**

Touch-Up Marker

Order Code: **MARKER**

STYLE CODE	TYPE	COLOR
ASP	Paint	White
CAM	Stain	Golden Brown
DRF	Paint	Gray
HAM	Paint	White
KEN	Stain	Walnut
REN	Paint	Cream
VIS	Stain	Dark Brown

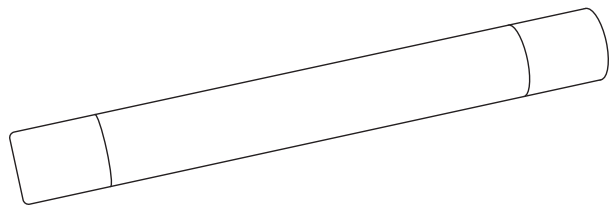


- Felt-tipped marker filled with stain or paint
- For small scuffs or scratches

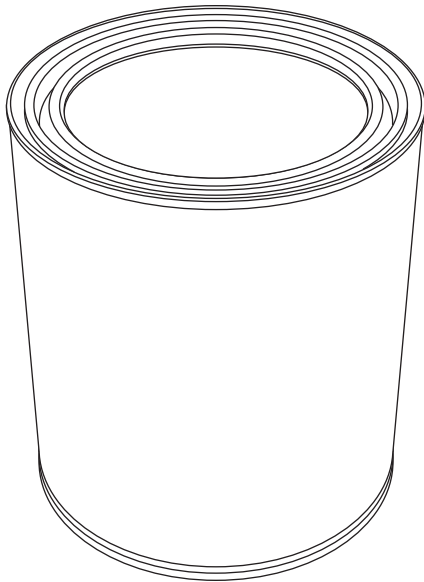
Wax Fill Stick

Order Code: **FILL STICK**

STYLE CODE	COLOR
ASP	White
CAM	Golden Brown
DRF	Gray
HAM	White
KEN	Walnut
REN	Cream
VIS	Dark Brown



- For small punctures and deep scratches



1 Quart of Stain/Paint

Order Code: **STAIN**

STYLE CODE	TYPE	COLOR
ASP	Paint	White
CAM	Stain	Golden Brown
DRF	Paint	Gray
HAM	Paint	White
KEN	Stain	Walnut
REN	Paint	Cream
VIS	Stain	Dark Brown



Pre-Catalyzed Aerosol Stain/Paint Can

Order Code: **STAIN-A***

STYLE CODE	TYPE	COLOR
ASP	Paint	White
CAM	Stain	Golden Brown
DRF	Paint	Gray
HAM	Paint	White
KEN	Stain	Walnut
REN	Paint	Cream
VIS	Stain	Dark Brown

(*) Stained door styles require a clear topcoat. For the clear aerosol, order **ACC CLEAR-A**

NOTES

TOUCH-UP INFORMATION ON PAINTS AND STAINS

Paint Aerosols

- Lower solids, opaque, pre-cat lacquer
- Can be used to touch-up worn areas or can be applied as the final topcoat for onsite finishing
- Use at least three coats when applying to raw wood
- Clear topcoat is not necessary

Paint Quarts

- Higher solids, opaque, pre-cat lacquer
- To be used in a finish shop to spray miscellaneous pieces (crown, trim, re-finish a door, etc.)
- Clear topcoat is not necessary

Stain Aerosols

- Lower solids, semi-transparent, pre-cat lacquer
- Can be used for worn off color
- It must be used as part of the final color process
- Meant to be used more like a toner, mist-sprayed 8"-10" away from substrate
- Apply a clear topcoat for a nice uniform sheen

Stain Quarts

- Production wipe stain
- Use like a normal wipe stain
- Dry 20-30 minutes before applying toners or topcoats
- Clear topcoat must be applied over the stain for protection

Clear Aerosols

- Lower solids, clear, pre-cat lacquer
- To be used over all stained products and over anything that has been glazed

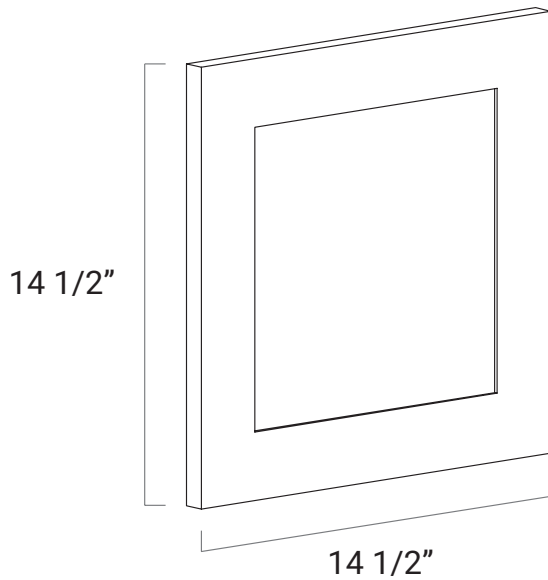
NOTE: Paints are to be sprayed while stains are to be brushed

NOTES

ORDER CODING

All sample order coding begins with ACC and door order code

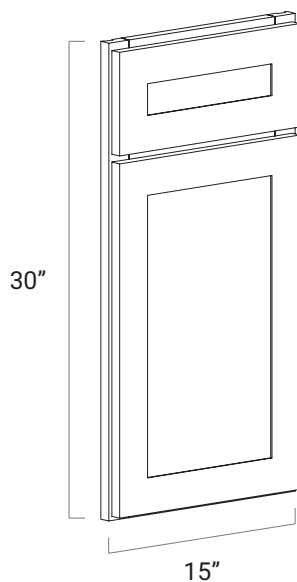
Example: **ACC ASP SAMPLE DOOR**



Sample Door

Order Code: **SAMPLE DOOR**
SAMPLE DOOR PACK

- Order doors separately or together as a pack
- Pack includes all door styles



Sample Base Front

Order Code: **SAMPLE BASE FRONT**

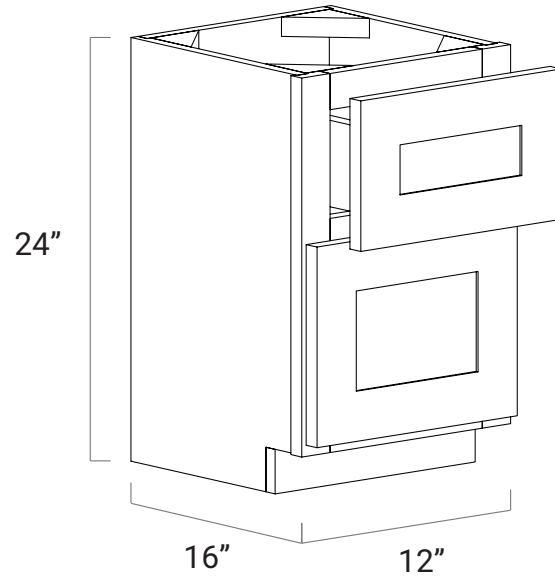
- Order fronts separately or together as a pack

SALES AND MARKETING

Miniature Sample Base Cabinet

Order Code: **MINI SAMPLE BASE**

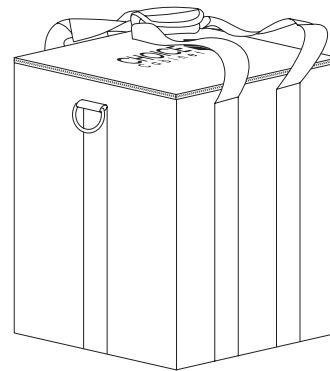
- Each sold separately



Sample Door Bag

Order Code: **SAMPLE DOOR BAG**
SAMPLE DOOR BAG KIT*

- This is **NOT** a stock item, so contact your customer care representative to pre-order
- Holds all current sample doors plus additional slots for future door styles
- Removable padded partitions for each door
- Shoulder strap (not pictured) included

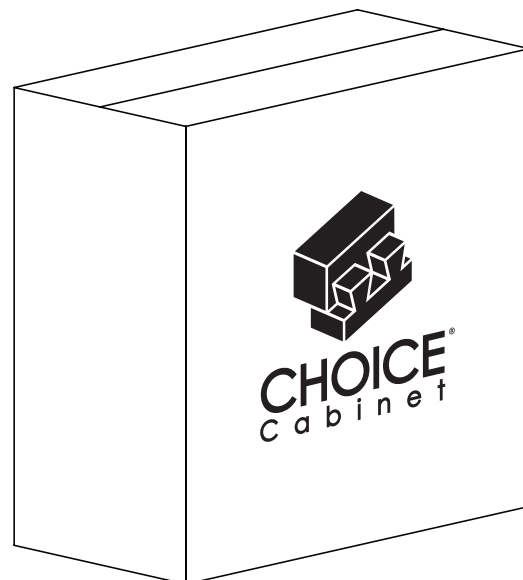


(* *Includes sample door bag and sample door pack*)

6" Natural Finish Trim Samples

Order Code: **SAMPLE TRIM KIT**

- Kit includes 6" sample pieces of: ACM8, BF3, BLR8, BM8, CCM8, CM8, OC8, SCM8, SHM8, TF396, TF696, TK8, TLR8, TSKBB3696, UST8, WF342, and WF642
- Includes printed key with line drawings, dimensions, and order codes



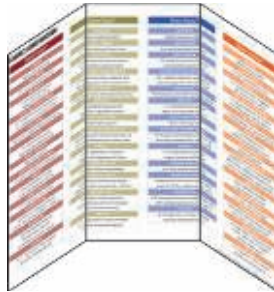
ORDER CODING

All marketing order coding begins with MKT
Example: **MKT CC002**



Cover

Inside



Tri-Fold Brochure

Order Code: **CC002**

- 8 1/2" x 11" tri-fold brochure
- 100# white gloss text
- 4-color process on both sides
- Hi-gloss, aqueous finish
- Available in quantities of 100



Choice Cabinet Product Guides

PRODUCT LINE	ORDER CODE
Choice Premier®	CC013
Choice Select®	CC019
Choice Basics®	CC017
Choice Essentials®	CC018

- 8 1/2" x 11" saddlestitched catalog
- 100# white gloss text
- 4-color process on both sides
- Hi-gloss, aqueous finish
- Sold separately

SALES AND MARKETING

Bathroom Cabinetry Guide

Order Code: **CC016**

- 11" x 17" tri-fold brochure
- 100# white gloss text
- 4-color process on both sides
- Hi-gloss, aqueous finish
- Sold separately



Cover
↙

Inside
↘



Two Pocket Folder

Order Code: **CC003**

- 9" x 12" two pocket presentation folder
- Business card slits on right pocket
- 13 pt. white gloss card stock
- 4-color process on both sides
- Hi-gloss, aqueous finish
- Sold separately



Cover
↙

Inside
↘



NOTES

How to Clean Your Cabinets

The finish on Choice Cabinet cabinetry is just like that of a high quality piece of furniture. Although it is designed to protect against normal, every day home use, general upkeep, and cleanliness are very important. With proper care, your cabinetry will look great for generations to come.

Dusting

Dust your cabinets frequently with a soft, lint-free cloth. If need be, slightly dampen the cloth with water or a spray-type dust remover.

Spills

Clean spills and splatters immediately. Prolonged exposure to spills, including food, water, oil, grease, and other liquids, can cause permanent discoloration and/or damage to your cabinet's finish. To clean spills, use a clean, soft cloth dampened with mild soap. Dry immediately with another clean, soft cloth.

Cleaning

Use a clean, soft cloth dampened with mild soap to clean your cabinets. Dry immediately with another clean, soft cloth. There are also a variety of wood cleaning products available for use on cabinetry.

Waxing & Polishing

Waxing your cabinets is not required or recommended. Over time, the wax will build up on the surface of the cabinet. This can cause a hazy, streaky, or yellowed appearance, as well as attract dust particles. The wax can become very difficult to remove. We recommend that you clean and polish your cabinets once or twice each year. To polish your cabinets, use a light coat of quality furniture polish.

Glass Doors

If you have glass panels installed in your cabinet doors, you will want to clean them periodically. To clean the glass, you can use any commercial glass cleaner. Never apply glass cleaner directly to the glass. Spray a small amount of cleaner onto a clean, soft cloth or paper towel, then wipe the glass. Be careful not to damage the cabinet finish or hardware while cleaning.

Hardware

You will want to periodically clean knobs, pulls, or handles installed on your cabinet doors/drawers. To do so, use a clean, soft cloth dampened with mild soap. Thoroughly dry all hardware joints, surfaces, and the surrounding area with another clean, soft cloth.

Products to Avoid

- Harsh chemicals
- Solvents or petroleum-based products, such as mineral spirits, nail polish removers, or paint thinners
- Abrasive cleaning products
- Ammonia or cleaning products that may contain ammonia
- Bleach or cleaning products that may contain bleach

CLEANING, CARE, AND MAINTENANCE

How to Care for Your Cabinets

Self-Cleaning Appliances

Self-cleaning appliances use intense heat during the clean cycle. During installation and with age, the integrity of the seal or gasket on the appliance can be compromised. Because of this, Choice Cabinet recommends the removal of any cabinet doors and/or drawers located adjacent to or directly above the appliance during a cleaning cycle.

Heat-Producing Appliances

Mounting or placing heat-producing appliances beneath cabinets is not recommended. The excess heat and moisture from appliances, such as coffee makers and toaster ovens, can damage your cabinets.

UV Effects

Ultraviolet light rays from natural sunlight can affect the appearance of your cabinets. The appearance of your cabinet(s) may change over time depending on the natural characteristics of wood and the applied finish, the amount/direction of light exposure, and the portion of the cabinet that receives light.

Cabinet Maintenance

No matter how careful you are with your cabinetry, normal wear and tear from everyday use is inevitable. This is why Choice Cabinet has made it easier than ever to keep your cabinets looking brand new.

Touch-Up

We offer touch-up markers and fill sticks that have been specially formulated for each of our high-quality cabinet finishes. Your Choice Cabinet design professional can assist you in how to order and how to use these products.

NOTE: Substantial repairs may require the help of a professional refinisher.

Adjusting Your Cabinetry Hardware

Over time, the door hinges, soft close pistons, drawer glides, and decorative hardware on your cabinetry may need to be tightened or adjusted. All of our hardware has been designed to be easily adjusted with a Phillips-head (crosshead) screwdriver. Soft close pistons are adjusted by simply turning the small dial on the backside of the piston with your finger.

PRODUCT AND FINISH INFORMATION

Because we use real wood in our products, there are certain characteristics and qualities with which you may not be familiar. Because your satisfaction is our number one priority, we want to make sure you are fully aware of the important information listed below regarding our cabinetry and the applied finish.

Expansion & Contraction

Because half of the weight of freshly cut wood is water, these natural properties are such that they can react to climate or humidity changes in your home. Choice Cabinet doors and face frames are manufactured from solid wood that has been carefully kiln-dried, retaining just enough moisture for proper construction and finishing. The center panels of the Choice Cabinet doors are either wood or medium density fiberboard. As a product of nature, solid hardwoods continue to react to their surroundings long after the manufacturing process has been completed. When wood cabinet doors are in a warm, moist environment (high humidity), the wood expands. In a dry, colder environment (low humidity), the wood will contract. Even with humidity regulation, this phenomenon can be controlled, but it can never be completely eliminated.

Door panels are prone to minor expansion and contraction as seasonal temperature and humidity changes occur in a home. The contraction (shrinkage) of the center door panel during low humidity periods may result in the appearance of an unfinished line along the edge of the center panel. Choice Cabinet does not consider the appearance of an unfinished line as a defect and will not replace doors due to this situation. It is recommended that a humidity control system is incorporated in a home to reduce the possibility of expansion and contraction in wood products. Touch-up markers are made available to cover this edge line. Oftentimes, touch-up for this issue may only be necessary within the first year.

Choice Cabinet is not responsible for any of these conditions and variations.

Finishes

Over time, wood species in all finishes will exhibit color changes when exposed to different types of light and environment. Such color changes are to be expected and are not defects. Due to the natural variation and aging process of wood, minor differences may be observed in color match when replacing doors or adding cabinets at a later date. It is a characteristic of stained and painted wood finishes to age over time when exposed to smoke, sunlight, or general household cleaning chemicals.

Graining differences, mineral streaks, and wood color variations are expected in wood cabinetry and are not classified as defects. A newly installed kitchen could have these minor color variations.

Choice Cabinet offers several types of painted finishes on cabinetry. Painted finishes are exceedingly different from the standard stained finish. Since normal movement is typical in wood products, certain climatic conditions can cause finish breaks, recesses, and joint/panel lines. Joint separation can be more visible on mitered doors. Consequently, in places and environments of extremely high or extremely low humidity, painted finishes are not recommended. Joint lines and variations are common attributes of painted finishes and will not be considered sufficient reasons for product replacement.

Some of our products have glaze finishes. Since glaze detailing is hand applied then hand wiped off, glaze may “hang up” or remain in any corners of the door or drawer profile. Because the glaze is a hand applied procedure, detailing can differ from piece to piece.

NOTE: *Independent testing has shown that discoloration will develop on doors, drawers, and cabinet parts after continued exposure to tobacco smoke. This is remarkably apparent on white and lighter finishes. We do not warrant discoloration in our products due to exposure to smoke.*

Joint Lines

Expansion and contraction in doors and face frames can cause visible lines at the joints. The finish will still protect the surface, and the structural integrity of the joint will not be affected. An open joint line is not considered a defect.

LIFETIME LIMITED WARRANTY

I. Description of Warranty

This warranty applies only to the original purchaser and is not transferrable. From the time of purchase, Choice Cabinet offers a Lifetime Limited Warranty on all of its cabinetry. In addition to cabinetry, all drawers, shelves, roll out trays, and mechanical components are covered under the warranty as well. In the event that any Choice Cabinet product fails during the course of normal use, Choice Cabinet, at its discretion, will either repair or replace the defective product.

Whether the work was performed by a contractor, Choice Cabinet authorized dealer, or you; any expenses involved in the shipping, removal, installation, or consequent damage of the defective product is not covered under this warranty. This warranty does not apply to products installed in mobile homes or recreational vehicles.

II. Intended Use of Product

To be covered by this warranty, the product must be used only for its intended purpose(s). Cabinets that have been improperly stored, installed, misused, modified, mishandled, and/or subject to excessive moisture or extreme temperature and humidity levels are not covered under this warranty. In addition, any damage caused by smoking and/or environmental/chemical effects are also not covered under this warranty.

III. Anticipated Variance in Product

The Choice Cabinet warranty only applies to product defects and does not apply to properties of natural wood that are inherent in natural wood species. Any time you have a natural wood product, occurrences such as pinholes, knots, and variances in color or grain are normal and are not covered under this warranty.

Because half of the weight of freshly cut wood is water, its natural properties are such that they can react to climate and/or humidity changes in your home. Choice Cabinet doors and face frames are manufactured from solid wood that has been carefully kiln-dried, retaining just enough moisture for proper construction and finishing. These hardwoods continue to react to their surroundings long after the manufacturing process has been completed. When wood cabinet doors are in a warm, moist environment (high humidity), the wood expands. In a dry, colder environment (low humidity), the wood will contract. Even with humidity regulation, this phenomenon can be controlled, but it can never be completely eliminated.

Door panels may also be prone to this minor expansion and contraction as seasonal temperature and humidity changes occur in your home. The contraction (shrinkage) of the center door panel during periods of low humidity may result in the appearance of an unfinished line along the edge of the center panel. Choice Cabinet does not consider the appearance of this line as a defect and will not replace doors due to this situation. Touch-up markers are made available to cover this edge line. The installation of a humidity control system is recommended to reduce the possibility of expansion and contraction in wood products.

All Choice Cabinet doors are manufactured in moisture-controlled environments under precise specifications. Although slight door warpage can be common in one or two doors within a newly installed kitchen, any door that has not been through a complete heating and cooling cycle has the possibility of warping. Slight warpage can be eliminated through hinge adjustments. Any warping that continues to occur should be further examined by removing the door from the cabinet and placing it on a flat surface. Hinge spacers are available through your authorized Choice Cabinet dealer in cases where the

warping cannot be eliminated through hinge adjustments. If warping cannot be eliminated through hinge adjustments or the use of hinge spacers, and if the doors have been through a complete heating and cooling cycle, and if all of the cabinets are true and plumb; then Choice Cabinet will consider replacement.

As mentioned above, normal movement in wood products is typical. In addition to issues listed above, climate conditions can cause finish breaks, recesses, and joint/panel lines. An open joint line is not considered a defect and is not covered under this warranty.

IV. Product Repair or Replacement

Throughout the duration of the warranty period, Choice Cabinet's sole obligation is to repair or replace any defective product at no charge. This warranty only applies to cabinets and affiliated products sold by Choice Cabinet offered through an authorized Choice Cabinet dealer. In the event that a claim is filed after the original product has been discontinued or cancelled, Choice Cabinet will honor the warranty, at its discretion, subject to the availability of the product, by either:

- Repairing or replacing the defective product with a new product of the same style
- OR**
- Repairing or replacing the defective product with a product of equal value and complementary style in order to maintain the appearance of the original cabinetry purchase.

An exact match between the finish of the original purchased product and the replacement or repaired product is not guaranteed.

V. Rights of Consumer

There are no other warranties, disclosed or indicated, associated with this product. This document serves as a description of the consumer's definitive legal rights within the transaction and is the exclusive warranty of Choice Cabinet. The exclusion or partial limitation of contingent or substantial damages is not permissible in some states. The consumer may also have further rights from state-to-state which are not cited in this warranty.

VI. Submission of a Claim

All claims must be submitted to the authorized Choice Cabinet dealer where the cabinets were originally purchased. Claims are to be submitted in writing. Every claim must include a dated copy of the original sales receipt as proof of purchase. Unless and until the product is specifically requested by the Choice Cabinet Claims Department, please do not send the defective item(s).

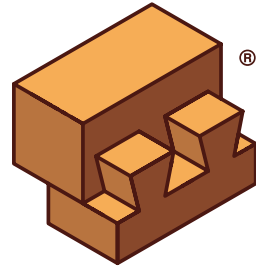


ACCESSORIES		DOOR STYLES (continued)	
Roll Out Tray	54	Driftwood	3
Trash Pull Out Double Standard Base	55	Hampton	3
Trash Pull Out Single Standard Base	54	Kensington	3
Wooden Cutlery Divider	55	Renaissance	4
		Vista	4
BASE CABINETS		HARDWARE	
Angled Full Height Base	27	6-Way Adjustable Hinge	60
Base Blind Corner (BBC39)	25	6-Way Adjustable, Soft Close Hinge	60
Base Blind Corner (BBC43-46)	26	Black Bar Pull	56
Base Double Door	20	Black Flat Bow Long Pull	57
Base Filler	28	Black Flat Bow Short Pull	57
Base Full Height	20	Black Football Knob	58
Base Mircowave	27	Black Long Bow Pull	56
Base Pantry Pull Out	28	Black Tapered Bow Pull	56
Base Single Door	20	Brushed Polished Nickel 1-Step Knob	59
Four Drawer Base	21	Brushed Polished Nickel 3-Step Knob	59
Knee Drawer	28	Brushed Polished Nickel Football Knob	58
Lazy Susan	23	Brushed Polished Nickel Long Pull	56
Lazy Susan Diagonal Door	24	Brushed Polished Nickel Plain Knob	58
Sink Base	22	Brushed Polished Nickel Plain Pull	57
Sink Base Diagonal	22	Brushed Polished Nickel Pull	57
Three Drawer Base	21	Gunmetal Bar Pull	56
Two Drawer Base	21	Hinge Spacer	61
BATH CABINETS		Oil Rubbed Bronze 3-Step Knob	59
Vanity Base One Drawer/One Door	35	Oil Rubbed Bronze Plain Pull	57
Vanity Combo Six Drawer/Two Door	35	Soft Close, Frame-Mount Piston	61
Vanity Combo Three Drawer/Four Door	35	Soft Close, Undermount Glide Pair	61
Vanity Combo Two Drawer/Three Door	34	Stainless Steel Bar Pull	56
Vanity Combo Two Drawer/Two Door	34	Verona Bronze 1-Step Knob	59
Vanity Drawer Base Three Drawer	36	Verona Bronze Football Knob	58
Vanity Filler	36	Verona Bronze Plain Knob	58
Vanity Sink Base	34	Verona Bronze Pull	57
		Weathered Nickel 1-Step Knob	59
CABINET CONSTRUCTION		Weathered Nickel 3-Step Knob	59
	5	Weathered Nickel Plain Knob	58
CLEANING, CARE, & MAINTENANCE		Weathered Nickel Pull	57
	69		
DOOR STYLES		LIFETIME LIMITED WARRANTY	
Aspen	2		72
Cambridge	2		

INDEX

MOLDING AND TRIM		SALES AND MARKETING	
Angled Crown Molding	43	6" Natural Finish Trim Samples	66
Arched Valance	50	Bathroom Cabinetry Guide	68
Base Filler	51	Choice Cabinet Product Guides	67
Batten Molding	46	Miniature Sample Base Cabinet	66
Bull Nose Light Rail	45	Sample Base Front	65
Bun Feet (Rounded or Squared)	52	Sample Door	65
Classic Corbel	48	Sample Door Bag	66
Classic Crown Molding	44	Tri-Fold Brochure	67
Crown Molding	43	Two Pocket Folder	68
Decorative Leg	51		
Decorative Leg - Split	52	TALL CABINETS	
Dentil Molding	44	Double Oven Cabinet	32
Outside Corner Molding	45	Tall Filler	32
Rope Molding	44	Utility Pantry Double Door	31
Scribe Molding	46	Utility Pantry Single Door	30
Scroll Corbel	49		
Shoe Molding	46	TOUCH-UP	
Straight Valance	50	1 Quart of Stain/Paint	63
Tall Filler	51	Pre-Catalyzed Aerosol Stain/Paint Can	63
Toe Kick	47	Touch-up Marker	62
Traditional Light Rail	45	Wax Fill Stick	62
Universal Scoop Trim	47		
Wall Filler	50	WALL CABINETS	
		Angled Triangle Wall	11
NOTES	74	Cut Glass for Door	18
		Wall Blind Corner	14
PANELS AND SKINS		Wall Bridge Double Door 12" High	7
Back Skin (BS3648 and BS4836)	40	Wall Bridge Double Door 15" High	7
Back Skin (BS9636)	40	Wall Bridge Double Door 18" High	8
Base False Door	42	Wall Bridge Double Door 21" High	8
Base Skin	39	Wall Bridge Double Door 24" High	8
Dishwasher Panel	37	Wall Bridge Refrigerator Double Door 24" Deep	9
Refrigerator Panel	38	Wall Bridge Single Door 12" High	7
Tall Skin	39	Wall Diagonal Corner 12" Deep	12
Tall Skin Beadboard	41	Wall Diagonal Corner 15" Deep	13
Wall False Door	41	Wall Double Door 30" High	10
Wall Skin	39	Wall Double Door 36" High	10
		Wall Double Door 42" High	11
PRODUCT AND FINISH INFORMATION	71	Wall Easy Reach	16
		Wall Filler	17

CHOICE C a b i n e t



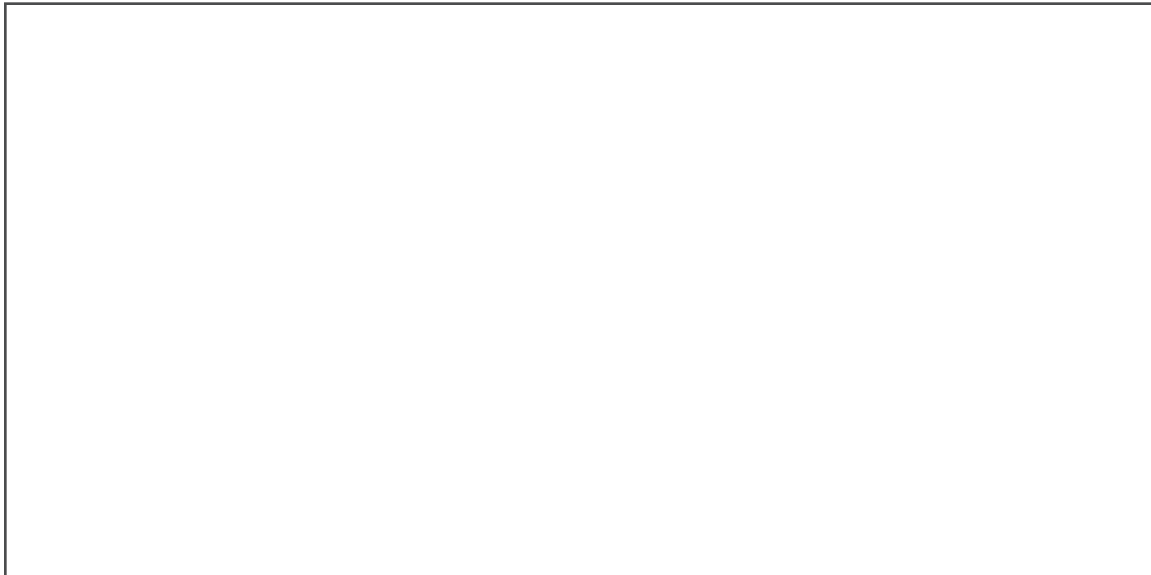
Elegant. Affordable.™

855-378-2828 | choicecabinet.com

Connect with Choice Cabinet!



Your Choice Cabinet Dealer



In order to maintain our policy of continuous product improvement, Choice Cabinet reserves the right to change design and material specifications as required and without notice.

[Rev 12.19.2018]
© 2019 Choice Cabinet
All rights reserved.