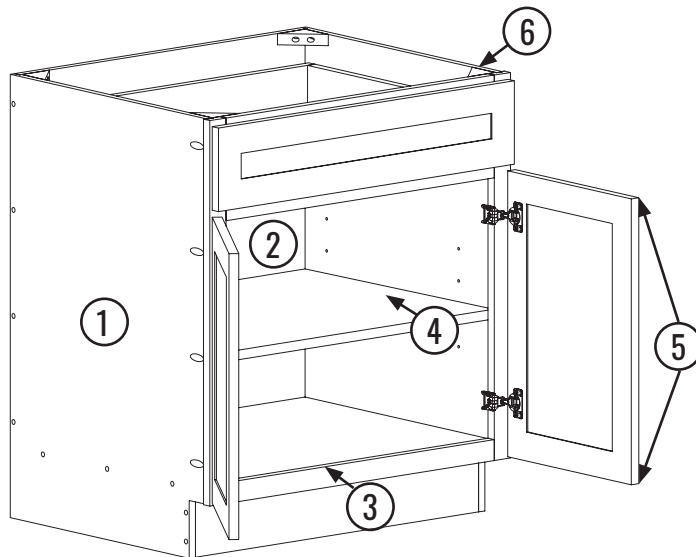


Tools Required

- Power drill with adjustable torque setting and a #2 Phillips tip
- Utility knife
- Rubber mallet and scrap piece of wood
- Wood glue
- Small level
- A padded work surface

NOTE: Use a shipping blanket or a work surface wrapped in carpet.

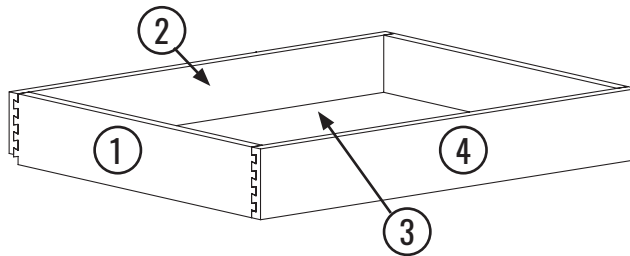
Included Cabinet Box Pieces



- 1 • side panel x 2
- 2 • back panel
- 3 • floor panel
- 4 • adjustable shelf
- 5 • face frame with door(s) attached
- 6 • wooden corner braces x 4

Two (2) small foot panels not shown

Included Drawer Box Pieces



- 1 • dovetail side panel x 2
- 2 • dovetail back panel
- 3 • bottom panel
- 4 • decorative drawer front panel
with dovetail front attached



Included Screws and Hardware

NOTE: All screws and clips are packed in bags to protect cabinet parts during shipping.

- 1" silver flat head screws for cabinet box side panels
- 1 1/8" pan head screws for wooden corner braces
- 7/8" pan head screws for pocket screw holes
- Small silver flat head screws for soft close glides and clips
- Side-mount glides and brackets
- Metal shelf clips

Unpacking the Cabinet

1. Cut the box carefully using utility knife along the taped seams
2. Remove the cabinet pieces and screws

NOTE: We use protective foam between each layer of parts. Each wall cabinet comes with the door(s) attached to the face frame. The face frame and door(s) are wrapped and placed in the interior of the box. This provides maximum protection for the face frame and door(s).

3. Place screws and shelf clips within reach

NOTE: Place the screws and shelf clips away from the finished cabinet pieces to avoid accidental damage.

Assembling the Cabinet Box

1. Place the face frame facing down on the padded work surface
2. Place one cabinet box side panel into the dado on the face frame. The finished side should be facing in. Attach using the 7/8" pan head screws. Attach the second cabinet box side panel the same way
3. Slide the floor panel into the dados on the cabinet box side panels and the face frame. The finished side should be facing in. Attach using the 7/8" pan head screws
4. Attach the small foot panels to the bottom of the floor panel and to the cabinet box side panels using the 7/8" pan head screws
5. Slide the back panel into the dados of on the cabinet box side panels. The finished side should be facing in. Attach using the 7/8" pan head screws
6. Attach the back panel to the floor panel using the 1 1/8" gold flat head screws
7. Attach the wooden corner braces using the 1 1/8" pan head screws
8. Stand the cabinet box upright and place on the floor



Choice Premier® Base Cabinet Instructions

Assembling the Drawer Box

1. Place the decorative front panel down on the padded work surface. The front box panel should be facing up
2. Grab the drawer box side panel with the Choice Cabinet logo and place the logo so that it is the closest to the drawer front
3. Add a small amount of wood glue to the dovetail of the drawer box side panel
4. Align the dados and dovetail of the drawer box side panel and the front box panel. Gently tap the drawer box side panel into the front box panel using the rubber mallet. Wipe away excess glue
NOTE: DO NOT use a hammer on the dovetails. Using a hammer can cause the dovetail to chip
5. Gently tap the drawer box side panel into the front box panel until flush with the rubber mallet and scrap piece of wood. Wipe away excess glue. Attach the second drawer box side panel repeating steps 3 to 5
6. Slide the drawer box bottom panel into the dados of the drawer box side panels and front box panel. The finished side should be facing in
7. Add a small amount of wood glue to the dovetail of the drawer box back panel
8. Align the dados and dovetail of the drawer box back panel, drawer box side panels, and drawer box bottom panel. Gently tap the drawer box back panel into the drawer box side panels until flush using the rubber mallet and scrap piece of wood. Wipe away excess glue.

Attaching Soft Close Glides

1. Attach the gray glide clips to the back panel using the small silver flat head screws
2. Place the drawer box upside down with the drawer front facing you
3. Pick up the orange clips and notice that they are labeled “L” and “R” for left and right
4. Place the “R” clip facing down on your left side and attach using the small silver screws
5. Repeat step 4 for the “L” clip on your right side
6. Set drawer box aside

Attaching the Drawer Box to the Cabinet Box

1. Insert the back of the glide into the gray glide clips attached to the back panel
2. Rest the front of the glides on the face frame drawer opening
3. Attach the glides to the sides of the face frame using the small silver screws.
Align the drawer glides
4. Insert the drawer box through the face frame drawer opening and gently press the drawer box into the back of the glides
5. Extend the drawer and shift it side-to-side once secured in the glides until aligned
6. Use the small silver screws into the gray clips at a 45-degree angle

Adjusting Hinges

- Each hinge has arrows indicating the direction of adjustment
- Adjust the hinges after assembly using the level
- Make sure that all doors are level with one another

NOTE: Consider adjusting annually due to seasonal dry or humid interior conditions

- An over-the-range cabinet may require additional adjustments throughout the year

